

LAURA ASHLEY



IL3130

FERNHURST 4 LIGHT FLUSH INSTALLATION INSTRUCTIONS


These instructions are provided for your safety.

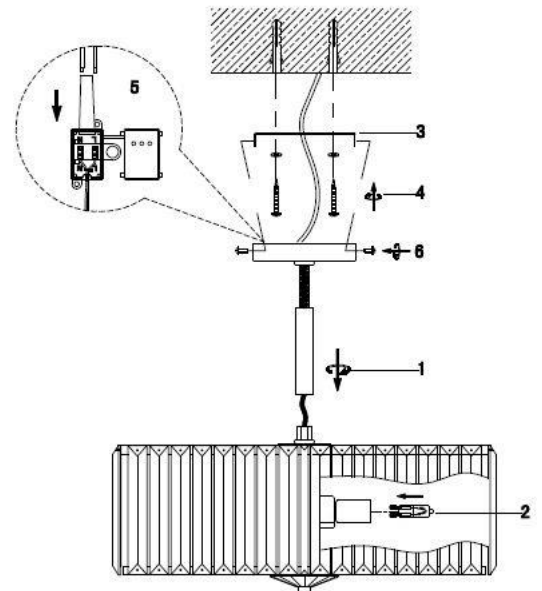
Please read carefully before commencing work and retain for future reference.

SAFETY INFORMATION

- * If you are in any doubt consult a person competent to give advice on the installation of electrical equipment.
- * This fitting should be fitted in accordance with current IEE Wiring Regulations and Building Regulations.
- * To prevent electrocution switch off at the mains supply before installing or maintaining this fitting. Ensure other persons cannot restore the electricity supply without your knowledge.
- * To avoid damage to concealed wiring during installation, establish the direction of the supply cable before drilling fixing holes.
- * This fitting is Class 2 =  therefore no earth is required and should be fitted to a lighting supply protected by a 5 amp fuse or equivalent circuit breaker.
- * Always be sure to use the correct type and wattage of bulbs as indicated on the fitting. Never exceed the wattage stated.
- * When changing the bulb, always switch off at the mains and allow the old bulb to cool down before handling. Dispose of used bulbs carefully.
- * This fitting is designed for use with self-shielded tungsten halogen lamps only = 

INSTALLATION

1. Ensure the house electricity supply is off at the fuse board.
2. Screw the stem into the main body of the fitting ensuring it is fully tightened.
3. If you are fitting this product in place of an existing one, you may find that there are more than 3 sets of cables connected. If there are loop in cables that are not connected to the light these must be terminated in a separate terminal block not connected to the fitting. Before removing existing fitting, carefully note position of each set of cables
4. Remove the mounting bracket from the ceiling cup by removing the 2 screws located in the side.
5. Using the mounting bracket as a template, mark and drill fixing holes in the ceiling. Ensure the holes are drilled into a joist or other suitable mounting and not just into plaster.
6. Secure the mounting bracket to the surface using suitable fixings for the type of material.
7. The weight of the fitting must be supported whilst making the electrical connections as follows: Use a small flat bladed screwdriver to lever open the connector block housing.
Connect supply live (normally brown or red) to fitting live (marked "L") on the terminal block.
Connect supply neutral (normally blue or black) to fitting neutral (marked "N") on the terminal block.
This fitting is double insulated and no earth should be connected to any part of this fitting. If there are earth wires present please terminate these into a separate terminal block (not supplied) to ensure continuity for the house earth circuit is maintained. Wrap the earth terminal block in 2 layers of good quality insulation tape and make sure the terminal block is kept away from the fitting.
8. Offer fitting up to the mounting bracket and secure in place using the screws removed earlier. **Take care not to damage wiring.**
9. Fit the bulb: Type and wattage as indicated on the fitting. **The wattage indicated must not be exceeded.** Use only self shielded bulbs.  Do not touch halogen bulbs with bare hands as this will shorten their life.
10. Switch on the electricity supply at the fuse board.



GENERAL INFORMATION

This fitting is designed for internal use only and must be fitted to a DRY SURFACE as any dampness in plaster or paint can damage the finish. **Do not use polish or abrasive cleaner - just a soft dry cloth.**