

LAURA ASHLEY

IL2892

SORRENTO PENDANT INSTALLATION INSTRUCTIONS

These instructions are provided for your safety.
Please read carefully before commencing work and retain for future reference.

SAFETY INFORMATION

- * If you are in any doubt consult a person competent to give advice on the installation of electrical equipment.
- * This fitting should be fitted in accordance with IEE Wiring Regulations and the Building Regulations
- * To prevent electrocution switch off at the mains supply before installing or maintaining this fitting. Ensure other persons cannot restore the electricity supply without your knowledge.
- * To avoid damage to concealed wiring during installation, establish the direction of the supply cable before drilling fixing holes.
- * This fitting is Class 2= and should be fitted to a lighting supply protected by a 5 amp fuse or equivalent circuit breaker.
- * Always be sure to use the correct type and wattage of bulbs as indicated on the fitting. Never exceed the wattage stated.
- * When changing the bulb, always switch off at the mains and allow the old bulb to cool down before handling. Dispose of used bulbs carefully.

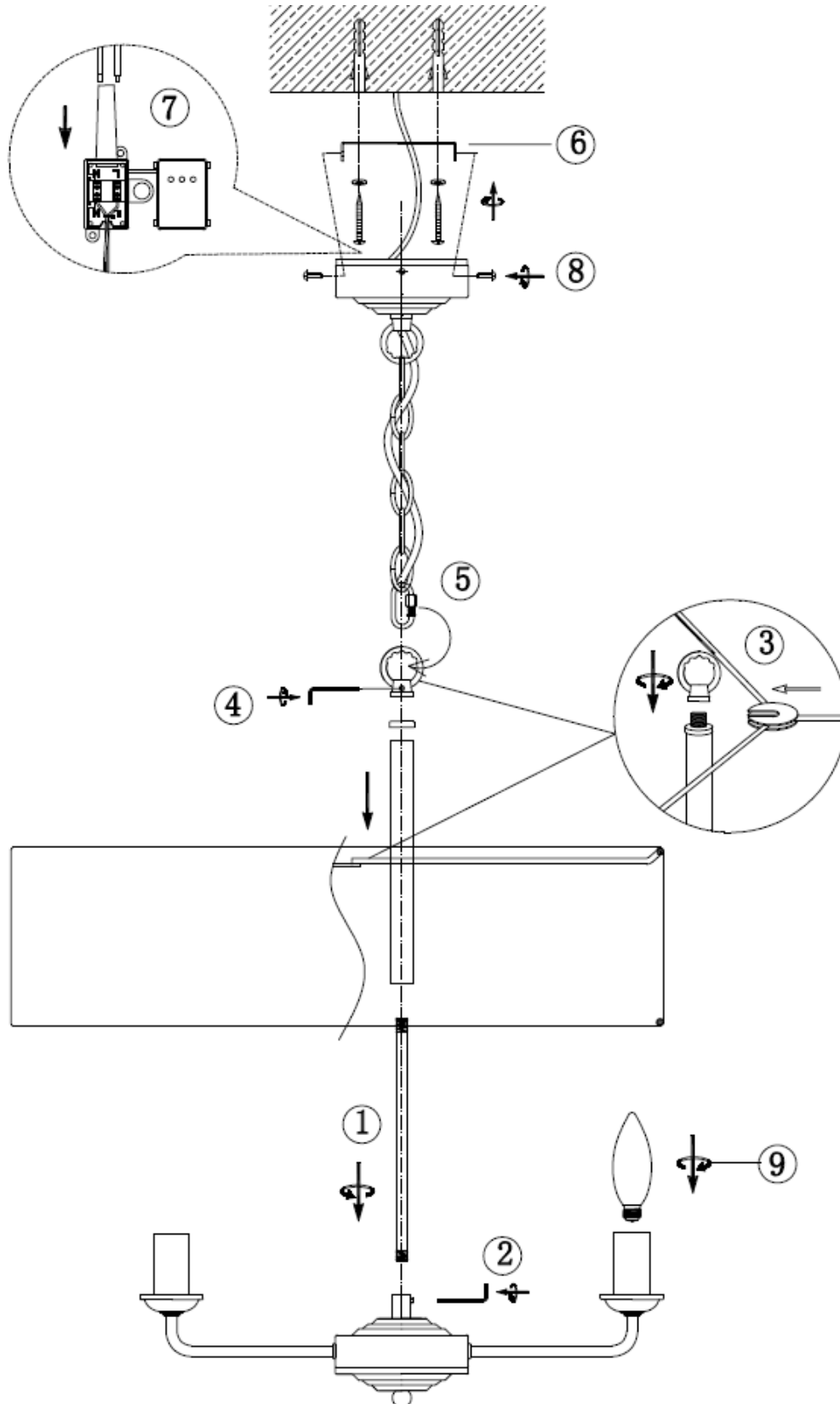
INSTALLATION

Assemble the shade to the main body. Thread the main stem into the lamp holder section ① and lock the stem in place by tightening the grub screw located on the receiving collar using the provided Allen Key ②. Slide the metal tube down over the stem followed by the tube cover. Slide the suspension ring down the cable and slide the “C” shaped cut-out in the shade between the top of the tube cover and the suspension ring ③ Thread the suspension ring onto the central stem to secure the shade in place and to tighten the assembly. Use the Allen key to tighten the grub screw and secure the ring ④. With the shade secured, attach and close the lower chain link to the suspension ring and complete the assembly ⑤ Ensure all parts have been fully secured before leaving unattended.

1. Ensure the electricity supply is off at the fuse board.
2. If you are fitting this product in place of an existing one, you may find that there are more than 3 sets of cables connected. If there are loop in cables that are not connected to the light these must be terminated in a separate terminal block not connected to the fitting. Before removing existing fitting, carefully note position of each set of cables
3. **Note:** the chain must support weight of this fitting.
Chain links may be adjusted at this stage to reduce height of chandelier, use 2 pliers to open chain links, remove links as required then close links. (Cloth should be used between jaws of the pliers to protect decorative finish)
Pull excess cable through the ceiling rose.
4. Remove the mounting bracket from the fitting by removing the 2 screws at the side of the ceiling plate.
5. Using mounting bracket as a template, mark and then drill the fixing holes, ensure holes are drilled into a joist and not just the plaster.
6. Attach the mounting bracket to the mounting surface using suitable fixings. Do not attach fitting to mounting bracket at this stage.
7. Lever open the connector block cover with a screwdriver then make the electrical connections as follows, **you may require assistance.**
Connect the supply live (normally brown or red) to fitting live (marked “L”) on the terminal block.
Connect the supply neutral (normally blue or black) to fitting neutral (marked “N”) on the terminal block.
Please note: No earth should be fitted to any part of this light if any earth wires are present please ensure that these are terminated into a separate terminal block (not supplied) to ensure that continuity of the earth for the rest of the house is maintained.
Ensure electrical connections are tight and no loose strands of wire protrude from the terminal block then close connector block cover by snapping back together.
8. Offer fitting over mounting bracket and secure using the screws removed earlier. **Take care not to damage wiring.**
9. Fit the bulbs, type and wattage as indicated on the fitting. **The wattage indicated must not be exceeded.**
10. Carefully tweak the shade if required to ensure that it is level.
11. Switch on the electricity supply at the fuse board.

LAURA ASHLEY

IL2892



GENERAL INFORMATION

This fitting is designed for internal use only and must be fitted to a DRY SURFACE as any dampness in plaster or paint can damage the finish. **Do not use polish or abrasive cleaner - just a soft dry cloth.**