

## MARBLE TASK TABLE LAMP

These instructions are provided for your safety.

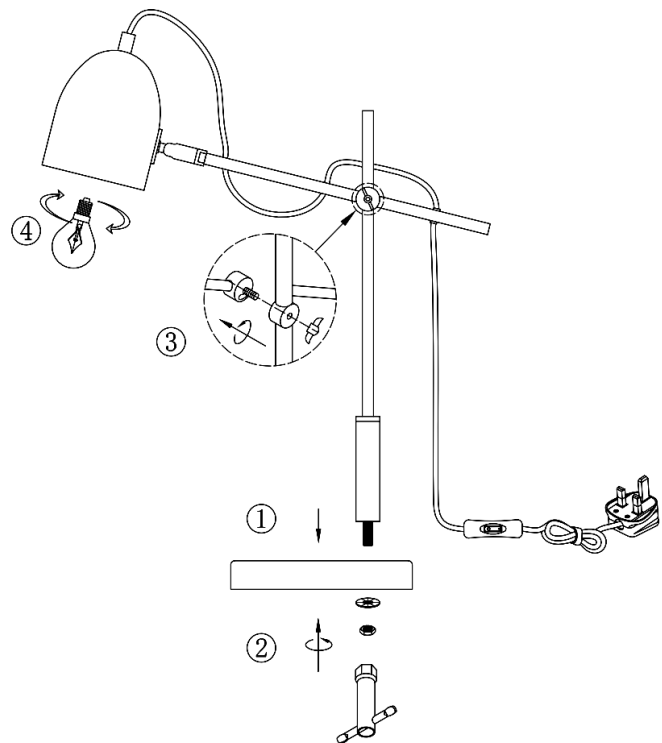
Please read carefully before commencing work and retain for future reference.

### SAFETY INFORMATION

- \* If you are in any doubt consult a person competent to give advice on the assembly of electrical equipment.
- \* The supply cable runs through the inside of the floor stand, take care not to place undue stress on the cable whilst unpacking to prevent the possibility of a poor connection.
- \* Always be sure to use the correct type and wattage of bulbs as indicated on the product.
- \* If the external flexible cable of the lamp is damaged it shall be exclusively replaced by the manufacturer or his service agent or a similar qualified person in order to avoid a hazard.
- \* When changing the bulb, always unplug at the mains and allow the old bulb to cool down before handling. Dispose of used bulbs carefully.

### ASSEMBLY INSTRUCTIONS

1. Unpack the product and remove all packaging. Be careful not to scratch the surface of the product whilst removing the plastic wrapping.
2. Undo retaining nut from the main support then remove the washer. ①
3. Fit stem with threaded post through a hole in the marble base ② then fit washer and retaining nut and secure these into position using a box spanner. **Do not fully tighten retaining nut until you are sure shade is positioned central to the base.**
4. Carefully fit the horizontal stem onto the vertical stem whilst ensuring the screw protrudes the other side of the stem, use the lever to fasten the stems together. ③ **Do not over tighten., ensure no metal parts protrude the marble base.**
5. Fit bulb: type and wattage as indicated on table lamp. ④ **The wattage indicated must not be exceeded.**
6. Table lamp is now ready for use.



### GENERAL INFORMATION

This product is designed for internal use only. **Do not use polish or abrasive cleaner – just a soft dry cloth.**

To register your product for an extended five-year warranty, please complete the simple form at

[www.darlighting.co.uk/warranty](http://www.darlighting.co.uk/warranty)

You'll need to fill in the details of the product, the retailer you purchased it from, and also the installer and the installation. Please also upload a clear copy of the original purchase invoice or receipt to complete this registration.

UK: där Lighting Ltd, Wildmere Road, Banbury, Oxon, OX16 3JZ  
Ireland & EU: Dar Lighting Ireland Limited, Suite 108, Q House, 76 Furze Road, Sandyford Industrial Estate, Dublin 18