

RISHA GLASS TABLE LAMP

ASSEMBLY INSTRUCTIONS

These instructions are provided for your safety.

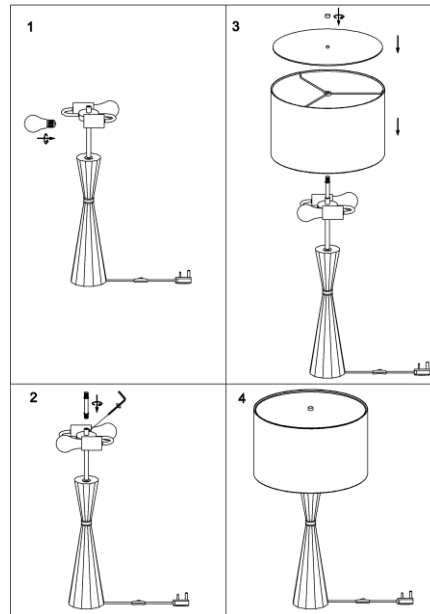
Please read carefully before commencing work and retain for future reference.

SAFETY INFORMATION

- * If you are in any doubt consult a person competent to give advice on the assembly of electrical equipment.
- * If the external flexible cable of the lamp is damaged it shall be exclusively replaced by the manufacturer or his service agent or a similar qualified person in order to avoid a hazard.
- * To prevent electrocution switch off at the mains supply before assembling or maintaining this product. Ensure the plug is not connected to any power supply and read instructions before assembly.
- * Always unplug from the mains supply and allow the lamp to cool down before handling.

ASSEMBLY INSTRUCTIONS

- 1) Unpack the product and remove all packaging. Take care not scratch the surface of the product whilst removing wrapping.
- 2) Ensure product is not connected to the mains supply.
- 3) Fit the bulb, type and wattage as indicated on the product. **The wattage must not be exceeded.**
- 4) Locate and screw the short stem onto top of table lamp then use hex key to fully lock stem into position.
- 5) Fit the shade and then diffuser and secure these into position using the finial.
- 6) Your table lamp is now ready for use.



To register your product for an extended five-year warranty, please complete the simple form at

www.darlighting.co.uk/warranty

You'll need to fill in the details of the product, the retailer you purchased it from, and also the installer and the installation. Please also upload a clear copy of the original purchase invoice or receipt to complete this registration.

UK: där Lighting Ltd, Wildmere Road, Banbury, Oxon, OX16 3JZ

Ireland & EU: Dar Lighting Ireland Limited, Suite 108, Q House, 76 Furze Road, Sandyford Industrial Estate, Dublin 18

RISHA GLASS TABLE LAMP

ASSEMBLY INSTRUCTIONS

These instructions are provided for your safety.

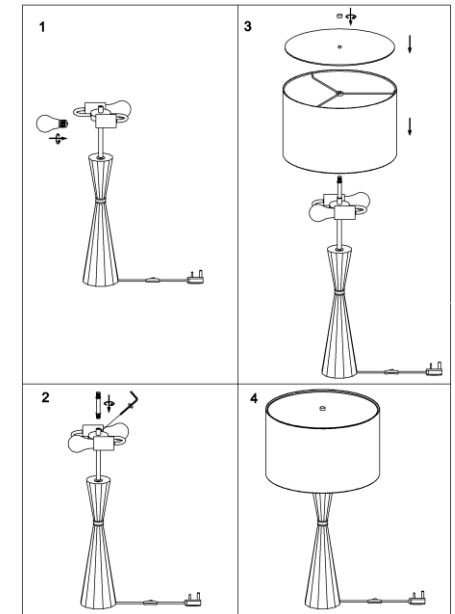
Please read carefully before commencing work and retain for future reference.

SAFETY INFORMATION

- * If you are in any doubt consult a person competent to give advice on the assembly of electrical equipment.
- * If the external flexible cable of the lamp is damaged it shall be exclusively replaced by the manufacturer or his service agent or a similar qualified person in order to avoid a hazard.
- * To prevent electrocution switch off at the mains supply before assembling or maintaining this product. Ensure the plug is not connected to any power supply and read instructions before assembly.
- * Always unplug from the mains supply and allow the lamp to cool down before handling.

ASSEMBLY INSTRUCTIONS

- 1) Unpack the product and remove all packaging. Take care not scratch the surface of the product whilst removing wrapping.
- 2) Ensure product is not connected to the mains supply.
- 3) Fit the bulb, type and wattage as indicated on the product. **The wattage must not be exceeded.**
- 4) Locate and screw the short stem onto top of table lamp then use hex key to fully lock stem into position.
- 5) Fit the shade and then diffuser and secure these into position using the finial.
- 6) Your table lamp is now ready for use.



To register your product for an extended five-year warranty, please complete the simple form at

www.darlighting.co.uk/warranty

You'll need to fill in the details of the product, the retailer you purchased it from, and also the installer and the installation. Please also upload a clear copy of the original purchase invoice or receipt to complete this registration.

UK: där Lighting Ltd, Wildmere Road, Banbury, Oxon, OX16 3JZ

Ireland & EU: Dar Lighting Ireland Limited, Suite 108, Q House, 76 Furze Road, Sandyford Industrial Estate, Dublin 18