

# LAURA ASHLEY

IL4159

## HARRINGTON WALL LIGHT INSTALLATION INSTRUCTIONS

These instructions are provided for your safety.

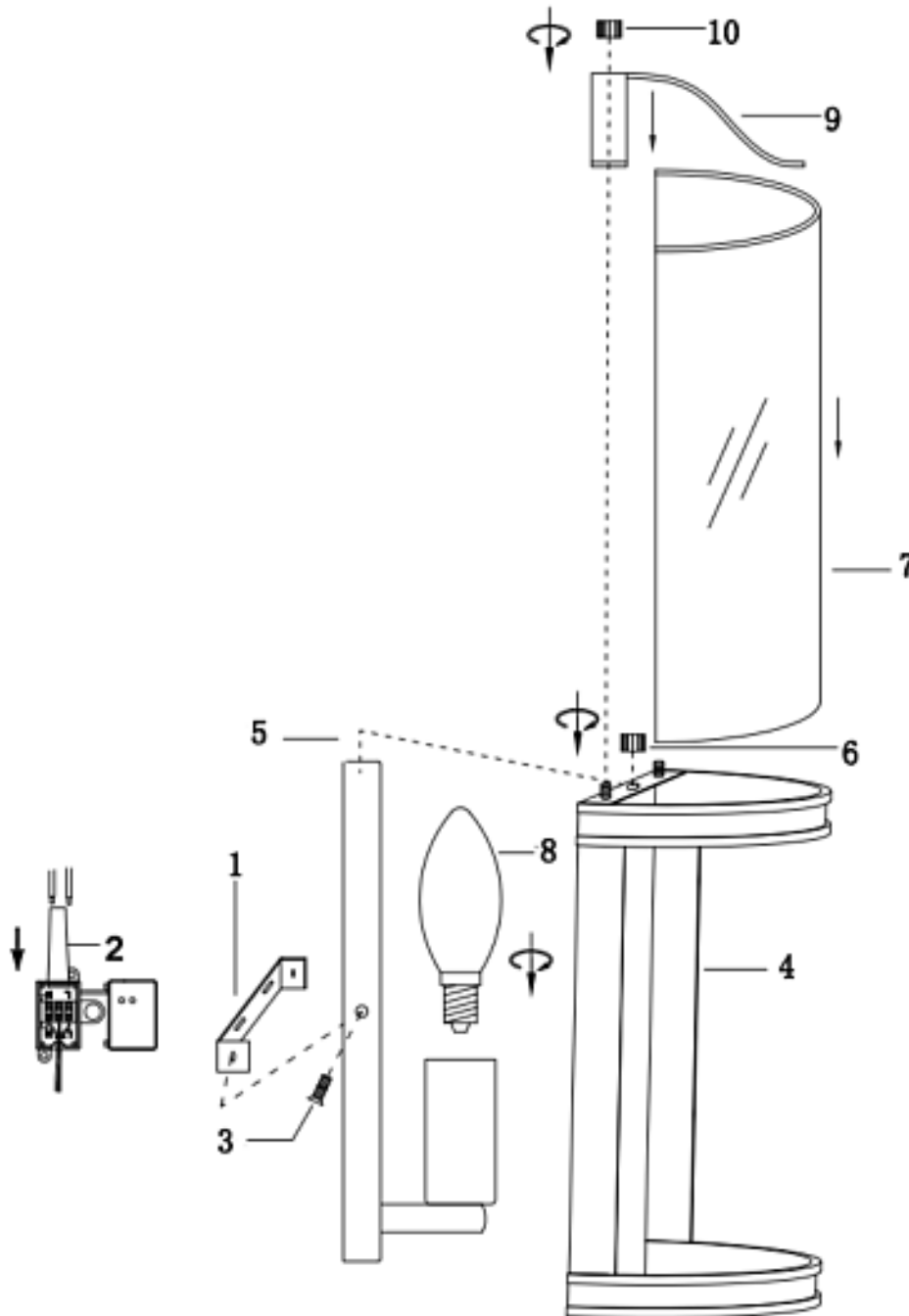
Please read carefully before commencing work and retain for future reference.

### SAFETY INFORMATION

- \* It is recommended that a qualified electrician is used to install this product.
- \* If you are in any doubt consult a person competent to give advice on the installation of electrical equipment.
- \* This fitting should be fitted in accordance with IEE Wiring Regulations and the Building Regulations
- \* To prevent electrocution switch off at the mains supply before installing or maintaining this fitting. Ensure other persons cannot restore the electricity supply without your knowledge.
- \* To avoid damage to concealed wiring during installation, establish the direction of the supply cable before drilling fixing holes.
- \* This fitting is Class 2=□ and should be fitted to a lighting supply protected by a 5 amp fuse or equivalent circuit breaker.
- \* When changing the bulb, always switch off at the mains and allow the old bulb to cool down before handling. Dispose of used bulbs carefully.
- \* Place this product out of direct sunlight.

### INSTALLATION

1. Ensure the house electricity supply is off at the fuse board.
  2. If removing an existing fitting, first note down all wiring connections.
  3. Remove mounting bracket from fitting by removing the retaining screws and washers and retaining for later.
  4. Remove the retaining screws and any washers, from shade and retain them for later. Carefully remove shade from the fitting.
  5. Using the mounting bracket as a template, mark and then drill the fixing holes in the wall. Ensure the screws are firmly fixed into a solid or other suitable mounting and not just the plasterboard. Make sure no wires are trapped in the process ①
  6. Lever open the terminal block box cover with a screwdriver then feed supply cable through rubber sleeving. The weight of the fitting must be supported whilst making the electrical connections as follows: ②
    - Connect supply live (normally brown or red) to fitting live (marked “L”) on the terminal block.
    - Connect supply neutral (normally blue or black) to fitting neutral (marked “N”) on the terminal block.
- NO EARTH** must be connected to any part of this fitting. If there are any earth wires present in the ceiling these must be terminated into a separate terminal block (not supplied) to ensure continuity of the earth circuit is maintained.
- NOTE:** Ensure electrical connections are tight and no loose strands of wire are left out of the connector block. Ensure terminals and rubber sleeve are correctly seated then close connector block housing.
7. Excess cable must be carefully located inside the wall cup or within the wall cavity itself. Carefully offer back plate over mounting bracket then secure in place with the screws and washers removed earlier ③
  8. Place the front shade cover ④ over the back plate ⑤ ensuring the holes in the top of the shade cover and back plate are aligned. Fit the decorative thumb-screw to secure the components to one another ⑥
  9. Carefully lower the shade glass through the top of the shade cover as shown in figure ⑦ Take care not to release the shade until it gently comes to rest in the designated recess channel at the base of the shade cover.
  10. Fit the bulb, type and wattage as displayed on the fitting **The stated wattage must not be exceeded** ⑧
  11. Fit the upper decorative brace section by aligning the two holes in the brace over the exposed threads at the top of the shade cover ⑨ Fit the decorative thumb-nut finials to secure in place ⑩ To replace the bulb, simply remove the thumb-nuts and decorative brace, change bulb and refit.
  12. Switch on the electricity supply at the fuse board.



## GENERAL INFORMATION

**This fitting is designed for internal use only and must be fitted to a DRY SURFACE as any dampness in plaster or paint can damage the finish. Do not use polish or abrasive cleaner - just a soft dry cloth.**