


## VAPOUR IP44 OUTDOOR WALL LIGHT

These instructions are provided for your safety.

Please read them carefully before commencing work and retain them for future reference.

**This fitting has an IP rating of IP44 and is suitable for outdoor use when connected as instructed.**

### SAFETY INFORMATION

- \* It is recommended that this fitting is installed by a qualified electrician.
- \* This fitting should be fitted in accordance with IEE Wiring Regulations and relevant Building Regulations.
- \* To prevent electrocution switch off at the mains supply before installing or maintaining this fitting. Ensure other persons cannot restore the electricity supply without your knowledge.
- \* If you are in doubt please consult a qualified electrician.
- \* To avoid damage to concealed wiring during installation, establish the direction of the supply cable before drilling fixing holes.
- \* This mirror is Class I =  $\frac{1}{1}$  and should be fitted to a lighting supply protected by a 5 amp fuse or equivalent circuit breaker. If fitting in a bathroom the mirror should be connected to a supply protected by a 30mA RCD.
- \*  Indicates that the fitting is suitable for mounting on normally flammable surfaces.
- \* This fitting is rated IP44 and is suitable for outdoor use when fitted in accordance with these instructions and IEE wiring regulations.
- \* Always be sure to use the correct type and wattage of bulbs as indicated on the fitting. Never exceed the wattage stated.
- \* When changing the bulb, always switch off at the mains and allow the old bulb to cool down before handling. Dispose of used bulbs carefully.

### INSTALLATION

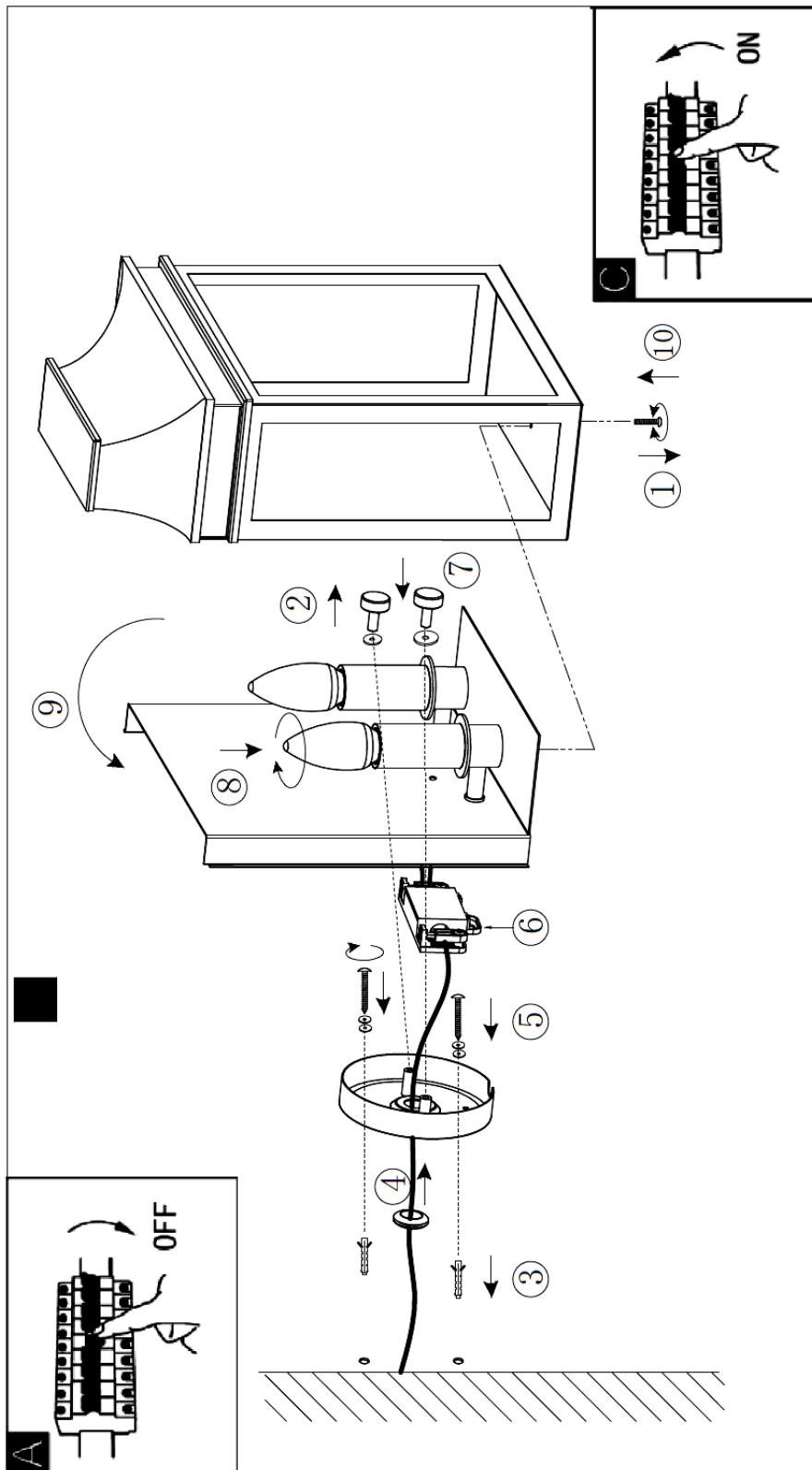
**Note: This fitting should only be installed in normal non aggressive atmospheric locations to prevent corrosion.**

This outdoor light has been designed for outdoor environments and tested to IP44 standards, it is unsuitable for harsh coastal environments, including any area with salty air conditions. Installing in a coastal or harsh environment may mean the finish of this light degrades much more quickly and cannot be covered under warranty. This light should not be installed on surfaces that could contain corrosive substances, including lime-based renders or paint.

1. Ensure the house electricity supply is off at the fuse board.
2. If removing existing fitting, carefully note the position of each set of cables. If there are loop in cables that are not connected to the light these must be terminated in a separate terminal block not connected to the fitting.
3. Remove metal backplate from fitting by undoing retaining screw at the bottom of fitting, ① retain screw for later.
4. Remove metal fixing plate by undoing the 2 thumb nuts located on the front of the wall light cup, ② take care not to lose any parts.
5. Using metal fixing plate as a template, mark and drill fixing holes. ③ Ensure holes are drilled into a solid wall or other suitable mounting. **Where required orientation arrow must be observed. (drain hole at the bottom)**
6. Carefully make a small hole in the soft rubber seal then feed supply cable though the seal whilst making sure it is correctly located onto metal fixing plate. ④ Attach metal fixing plate onto the wall using suitable fixings. ⑤ **Take care not to trap cable behind metal fixing plate.**
7. Make the electrical connections as follows, where required undo cable clamps by undoing retaining screws and make a small hole in the soft rubber grommet on terminal block. ⑥  
Connect supply live (normally brown or red) to fitting live (marked "L") on the terminal block.  
Connect supply neutral (normally blue or black) to fitting neutral (marked "N") on the terminal block.  
Connect supply earth (normally green/yellow or unsheathed) to earth (marked " $\frac{1}{1}$ ") on terminal block.  
Ensure electrical connections are tight and no loose strands of wire are left out of the connector block refit terminal block back into position inside metal fixing plate. Ensure supply cable is clamped using the screw removed earlier.
8. Attach backplate over metal fixing plate and secure into place using 2 x thumb nuts and any washers retained from earlier. ⑦
9. Fit bulb, type and wattage as indicated on the fitting. ⑧ **The wattage indicated must not be exceeded.**
10. Slide fitting (at a slight angle) over the top of metal backplate attached onto the wall ⑨ and push the bottom part towards the wall then secure into position with the screw removed earlier whilst making sure the screw prevents fitting from being removed from the backplate. ⑩
11. Switch on the electricity supply at the fuse board.

### GENERAL INFORMATION

This fitting is designed for external use, it must be fitted to a DRY FINISH as any dampness in concrete, wood stain, paint and etc can damage finish. **Do not use polish or abrasive cleaner - just a soft slightly damp cloth.**



To register your product for an extended five-year warranty, please complete the simple form at

[www.darlighting.co.uk/warranty](http://www.darlighting.co.uk/warranty)

You'll need to fill in the details of the product, the retailer you purchased it from, and also the installer and the installation. Please also upload a clear copy of the original purchase invoice or receipt to complete this registration.

**UK:** där Lighting Ltd, Wildmere Road, Banbury, Oxon, OX16 3JZ

**Ireland & EU:** Dar Lighting Ireland Limited, Suite 108, Q House, 76 Furze Road, Sandyford Industrial Estate, Dublin 18