

IP65 LED OUTDOOR POST

These instructions are provided for your safety.

Please read them carefully before commencing work and retain them for future reference.

This fitting has an IP rating of IP65 and is suitable for outdoor use when connected as instructed.

SAFETY INFORMATION

- * We recommend any electrical wiring in an outdoor environment is carried out by a qualified electrician. All wiring must comply with the current edition of the IEE wiring regulations and any relevant Building Regulations.
- * If you are in any doubt consult a person competent to give advice on the installation of electrical equipment.
- * This fitting is Class I = $\frac{1}{\text{I}}$ and should be fitted to a lighting supply (with earth) protected by a 5 amp fuse or equivalent circuit breaker. Product should be connected to a supply protected by a 30mA RCD.
- * This fitting is rated IP65 and is suitable for outdoor use when fitted in accordance with these instructions and IEE wiring regulations.
- * Before installation and servicing disconnect the electricity supply at the fuse board.
- * To avoid damage to concealed wiring during installation, establish the direction of the supply cable before drilling fixing holes.
- * **IMPORTANT: This fitting is NOT dimmable.**
- * The light source of this luminaire is not replaceable; when the light source reaches the end of its end of life the whole luminaire shall be replaced.

LED LIGHTING HEAD ON THIS FITTING IS NOT ADJUSTABLE



THIS PRODUCT CONTAINS A LIGHT SOURCE(S) OF ENERGY EFFICIENCY CLASS

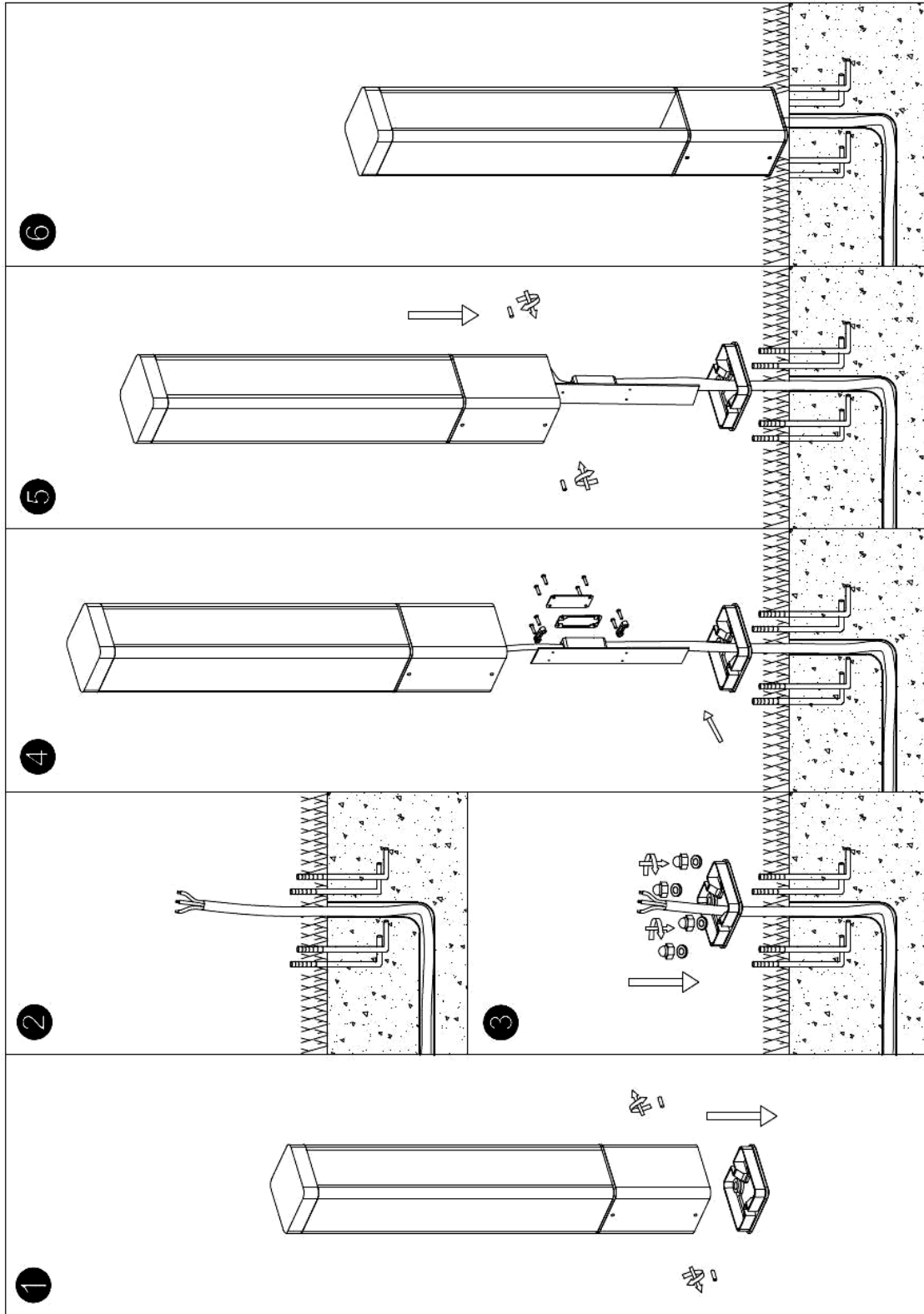
INSTALLATION

Note: This fitting has a 3 year guarantee against corrosion. This fitting should only be installed in normal non aggressive atmospheric locations to prevent corrosion. Aggressive environments to be avoided include locations by the sea, polluted atmospheres or near heating flue outlets.

1. Ensure the house electricity supply is off at the fuse board.
2. A supply will need to be run in accordance with the wiring regulations (BS7671:2018) to the desired location for the post. Ensure 1 metre of supply cable is left free of the ground at the post location to enable safe wiring of the fitting.
3. The mounting baseplate for the fitting will need to be fixed to a suitable solid flooring to ensure the correct level of support for this post. Metal threaded 'J' anchors have been provided that are to be concreted into place as illustrated overleaf. To secure the anchors, mix a stiff concrete and insert the 'J' anchors into the correct positions for mounting the baseplate. Leave the 'J' anchors until the concrete is fully cured.
If the post is being mounted to a wooden deck then ensure that decent wood screws are used (not included) and that it is secured through and into a joist and not just the plank.
If the post is being mounted to a solid floor then suitable fixings (not included) will need to be purchased, these will need to be suitable for the intended substrate the post is being secured to.
4. Remove the baseplate from the main body of the post by slackening the grub screws located towards the bottom of the post until the base plate can be removed.
5. Pass the supply cable feed through the grommet in the baseplate and secure the baseplate onto the 'J' anchors in the ground using the nuts provided. Ensure the nuts are tight and the baseplate is fully secured in position.
6. Bring the post near to the base and remove the cover from the connector block by removing the 4 screws in the cover. Make the electrical connections as follows:
Connect supply live (normally brown or red) to fitting live (marked "L") on the plastic casing terminal block.
Connect supply neutral (normally blue or black) to fitting neutral (marked "N") on the plastic casing terminal block.
Connect supply earth (normally green/yellow or unsheathed) to earth (marked " $\frac{1}{\text{I}}$ ") on plastic casing terminal block.
Ensure electrical connections are tight and no loose strands of wire are left out of the connector block, secure the cover back in place using the screws removed earlier. With the cable in place fit the cable restraint clamp over the wiring to prevent any strain on the connections.
7. Carefully place the post onto the base ensuring no loose cable is left that could be damaged when securing the post. Fully seat the post onto the base and secure in position using the Allen grub screws slackened earlier. Ensure the screws are fully tightened and the post is secure.
8. Clean the fitting from dust and finger marks.
9. Switch on the electricity supply at the fuse board.

GENERAL INFORMATION

This fitting is designed for external use, it must be fitted to a DRY FINISH as any dampness in concrete, wood stain, paint etc. can damage finish. **Do not use polish or abrasive cleaner - just a soft slightly damp cloth**



To register your product for an extended five-year warranty, please complete the simple form at

www.darlighting.co.uk/warranty

You'll need to fill in the details of the product, the retailer you purchased it from, and also the installer and the installation.

Please also upload a clear copy of the original purchase invoice or receipt to complete this registration.

UK: där Lighting Ltd, Wildmere Road, Banbury, Oxon, OX16 3JZ

Ireland & EU: Dar Lighting Ireland Limited, Suite 108, Q House, 76 Furze Road, Sandyford Industrial Estate, Dublin 18