


VIENNA 3LT FLUSH INSTALLATION INSTRUCTIONS

These instructions are provided for your safety.

Please read carefully before commencing work and retain for future reference.

SAFETY INFORMATION

- * If you are in any doubt consult a person competent to give advice on the installation of electrical equipment.
- * This fitting should be fitted in accordance with IEE Wiring Regulations and the Building Regulations.
- * To prevent electrocution switch off at the mains supply before installing or maintaining this fitting. Ensure other persons cannot restore the electricity supply without your knowledge.
- * To avoid damage to concealed wiring during installation, establish the direction of the supply cable before drilling fixing holes.
- * This fitting is Class I = $\frac{1}{\text{I}}$ and should be fitted to a lighting supply (with earth) protected by a 5 amp fuse or equivalent circuit breaker.
- * This fitting is designed for use with self-shielded tungsten halogen lamps = 
- * Always be sure to use the correct type and wattage of bulbs as indicated on the fitting. Never exceed the wattage stated.
- * When changing the bulb, always switch off at the mains and allow the old bulb to cool down before handling. Dispose of used bulbs carefully.
- * Place this product out of direct sunlight.

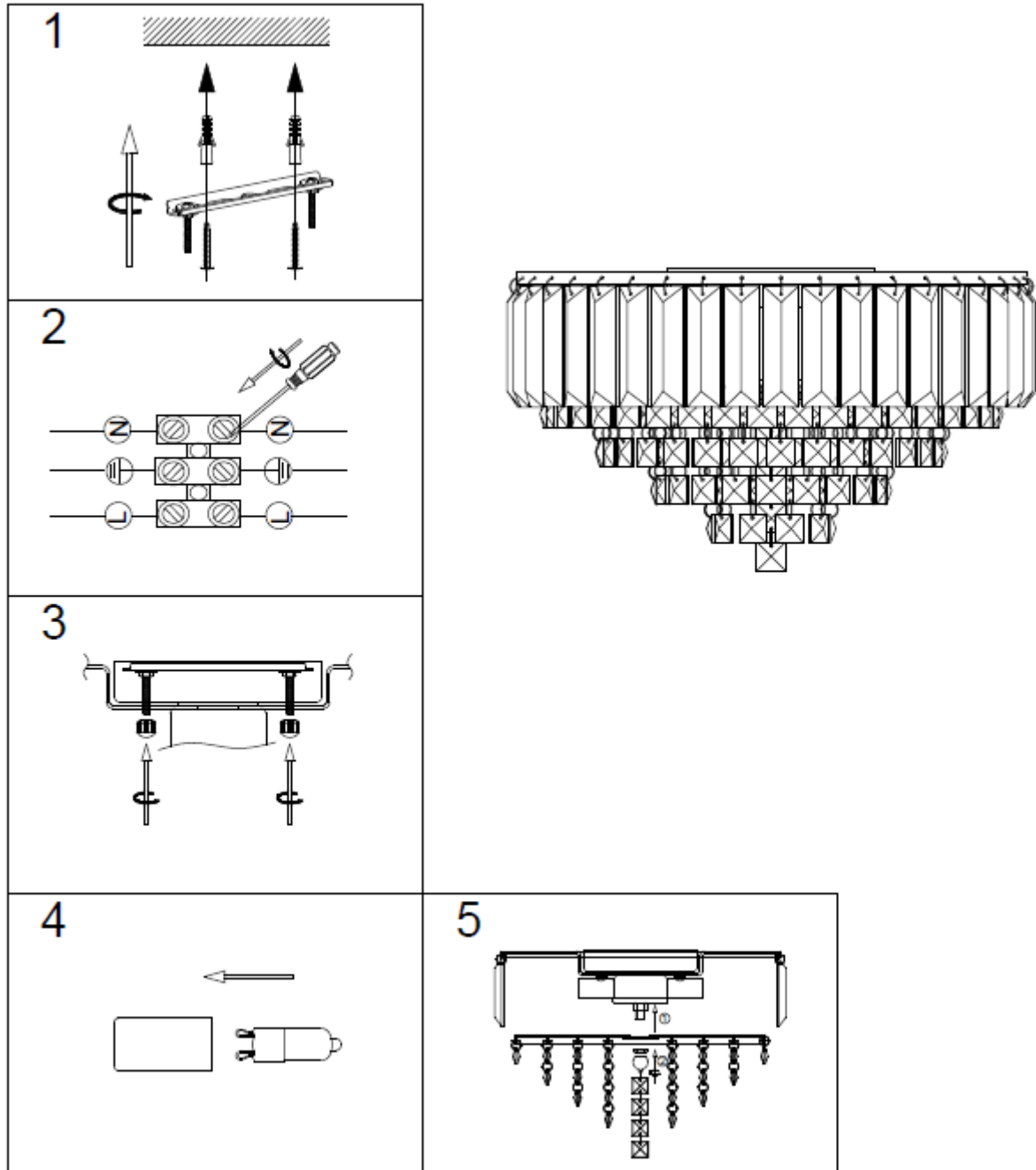
INSTALLATION

1. Ensure the house electricity supply is off at the fuse board.
2. Before removing the existing fitting, carefully note the position of each set of cables. If there are loop in cables that are not connected to the light these must be terminated in a separate terminal block not connected to the fitting.
3. Remove mounting bracket from fitting by undoing retaining thumb-nuts. Using the bracket as a template, mark and then drill the fixing holes in the ceiling. Ensure that the holes are drilled into a joist or other suitable mounting and not just the plaster ①
4. **The weight of the fitting must be supported whilst making the electrical connections as follows:** ②
 - Connect supply live (normally brown or red) to fitting live (marked “L”) on the terminal block.
 - Connect supply neutral (normally blue or black) to fitting neutral (marked “N”) on the terminal block.
 - Connect supply earth (normally green/yellow or unsheathed) to earth (marked “ $\frac{1}{\text{I}}$ ”) on terminal block.

NOTE: Ensure electrical connections are tight and no loose strands of wire are left out of the terminal block.
5. Raise the fitting and align the holes in the back-plate of the fitting with the studding on the underside of the mounting bracket already attached to the ceiling. Refit the thumb-nuts to the studding as it passes through to secure the fitting in place ③ Ensure the fitting fully secured before leaving unattended.
6. Carefully remove all of the protective packaging surrounding the crystals.
7. **Fit the bulb:** Type and wattage as indicated on the fitting. **The wattage indicated must not be exceeded** ④
8. Attach the lower diffuser by aligning the hole in the centre of the diffuser with the stud protruding from the bottom of the main fitting ⑤ Fit the securing nut, followed by the decorative finial to secure the diffuser in place. Take care not to overtighten as this may cause damage to the fitting.
9. Switch on the electricity supply at the fuse board. Your new light fitting is ready for use.

LAURA ASHLEY

IL4412



GENERAL INFORMATION

This fitting is designed for internal use only and must be fitted to a DRY SURFACE as any dampness in plaster or paint can damage the finish. **Do not use polish or abrasive cleaner - just a soft dry cloth.**