

# LAURA ASHLEY

IL3174

## SORRENTO 3 LIGHT TABLE LAMP INSTALLATION INSTRUCTIONS

These instructions are provided for your safety.

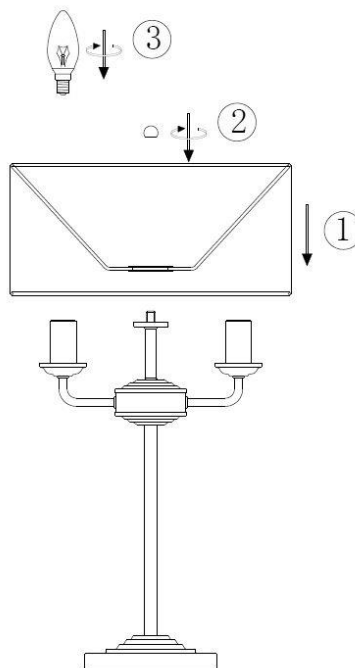
Please read carefully before commencing work and retain for future reference.

### SAFETY INFORMATION

- \* If you are in any doubt consult a person competent to give advice on the installation of electrical equipment.
- \* If the external flexible cable of the lamp is damaged it shall be exclusively replaced by the manufacturer or his service agent or a similar qualified person in order to avoid a hazard.
- \* When changing the bulb, always unplug from the mains and allow the old bulb to cool down before handling. Dispose of used bulbs carefully.
- \* Always be sure to use the correct type and wattage of bulbs as indicated on the fitting. **Do not exceed stated wattage.**

### INSTALLATION

1. Unscrew the decorative metal ball finial from the top of the central lamp stem. Position shade over the stem and secure in place with the screw thread finial removed earlier.
2. Fit the bulb type and wattage as indicated on the product. **Do not exceed the maximum wattage stated.**
3. Your table lamp is now ready for use.



### GENERAL INFORMATION

This fitting is designed for internal use only and must be fitted to a DRY SURFACE as any dampness in plaster or paint can damage the finish. **Do not use polish or abrasive cleaner - just a soft dry cloth.**