

LAURA ASHLEY


IL4366

CORBRIDGE FISHERMAN PENDANT INSTALLATION INSTRUCTIONS

These instructions are provided for your safety.

Please read carefully before commencing work and retain for future reference.

SAFETY INFORMATION

- * If you are in any doubt consult a person competent to give advice on the installation of electrical equipment.
- * This fitting should be fitted in accordance with IEE Wiring Regulations and the Building Regulations.
- * To prevent electrocution switch off at the mains supply before installing or maintaining this fitting. Ensure other persons cannot restore the electricity supply without your knowledge.
- * To avoid damage to concealed wiring during installation, establish the direction of the supply cable before drilling fixing holes.
- * This fitting is class 2 double insulated =  and should be fitted to a lighting supply protected by a 5 amp fuse or equivalent circuit breaker.
- * Always be sure to use the correct type and wattage of bulbs as indicated on the fitting. Never exceed the wattage stated.
- * When changing the bulb, always switch off at the mains and allow the old bulb to cool down before handling. Dispose of used bulbs carefully.

INSTALLATION

1. Ensure the house electricity supply is off at the fuse board.
2. Before removing the existing rose, carefully note the position of each set of cables. If there are loop in cables that are not connected to the light these must be terminated in a separate terminal block not connected to the fitting.
3. Remove mounting bracket from fitting by undoing retaining screws ① Using the bracket as a template, mark and then drill the fixing holes in the ceiling. Ensure that the holes are drilled into a joist or other suitable mounting and not just the plaster ②
4. Fix the mounting bracket to ceiling using suitable fixings. **Take care not to damage wiring**

Chain links may be adjusted to reduce the height of the fitting. Using two pairs of pliers, carefully open the chain links and remove the required number to achieve the desired fitting height. Note: A cloth should be used between the jaws of the pliers to protect the decorative finish. Pull any excess cable through the ceiling cup. Attach the bottom adjustable chain link to the last link of the support chain and to the connection ring of the chandelier. The link is opened by twisting the barrel nut at the side anti-clockwise, hooking the chain link over the top ring of the chandelier and retightening to close the link.

IMPORTANT ensure the chain is supporting the weight of the fitting and not the electrical cable.

5. Use a screwdriver to lever open the connector block housing and feed supply cable through the rubber sleeve. Whilst supporting the weight of the fitting, make electrical connections as follows: ③
 - Connect the supply live (normally brown or red) to fitting live (marked “L”) on the terminal block.
 - Connect the supply neutral (normally blue or black) to fitting neutral (marked “N”) on the terminal block.

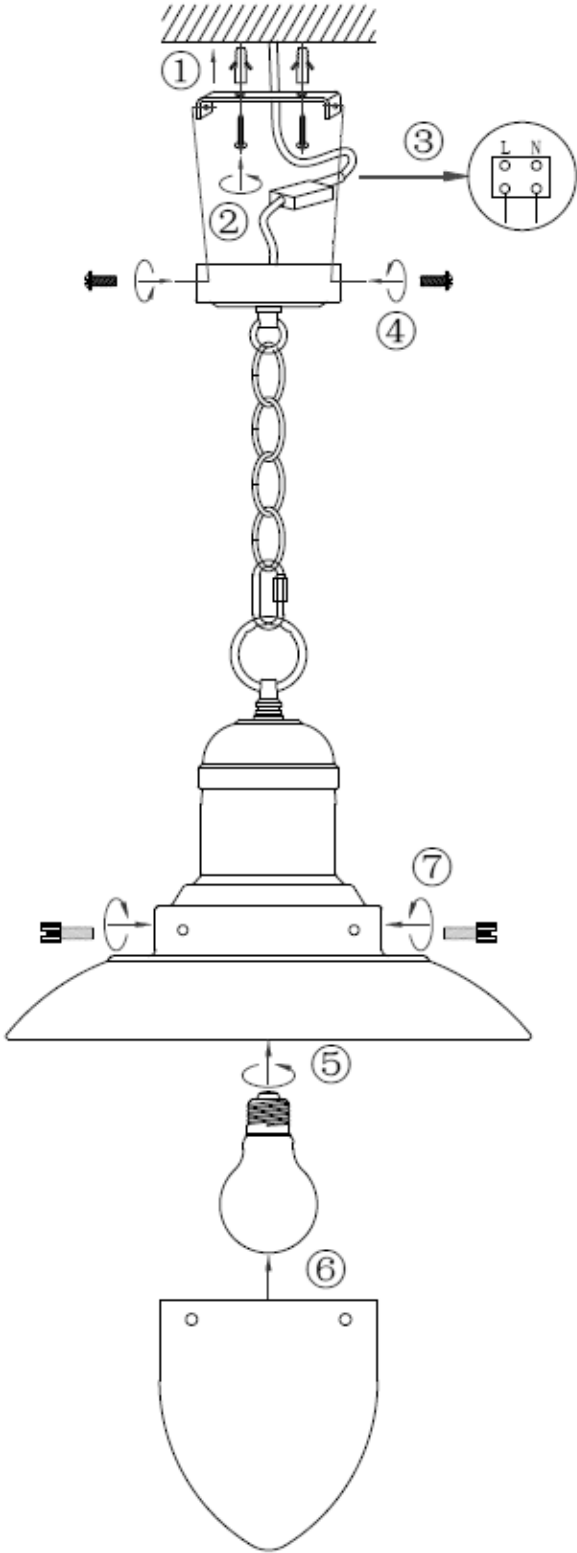
Ensure electrical connections are tight and no loose strands of wire are left out of the terminal block. Ensure terminals and rubber sleeve is correctly seated then close connector block housing by snapping together.

Please note: No earth should be connected to any part of this fitting. If any earth wires are present please terminate these in a separate terminal block (not supplied) to ensure that continuity is maintained for the earth circuit.

6. Attach the fitting to the mounting bracket using the retaining screws removed earlier Take care not to trap wires in the process ④
7. Fit the bulbs type and wattage as shown on fitting. **The wattage indicated must not be exceeded** ⑤
8. Position the inner shade glass so the holes in the glass align with those in the outer metal pendant frame ⑥ Carefully insert and rotate the three securing screws through the outside of the pendant frame and through the hole in the inner glass shade taking care not to cross-thread ⑦ Take care not to over-tighten as this may cause damage to the fitting.
9. Switch on the electricity supply at the fuse board.

LAURA ASHLEY

IL4366



GENERAL INFORMATION

This fitting is designed for internal use only and must be fitted to a DRY SURFACE as any dampness in plaster or paint can damage the finish. **Do not use polish or abrasive cleaner - just a soft dry cloth.**