

# LAURA ASHLEY


IL4417

## CALLAGHAN PENDANT INSTALLATION INSTRUCTIONS

These instructions are provided for your safety.

Please read carefully before commencing work and retain for future reference.

### SAFETY INFORMATION

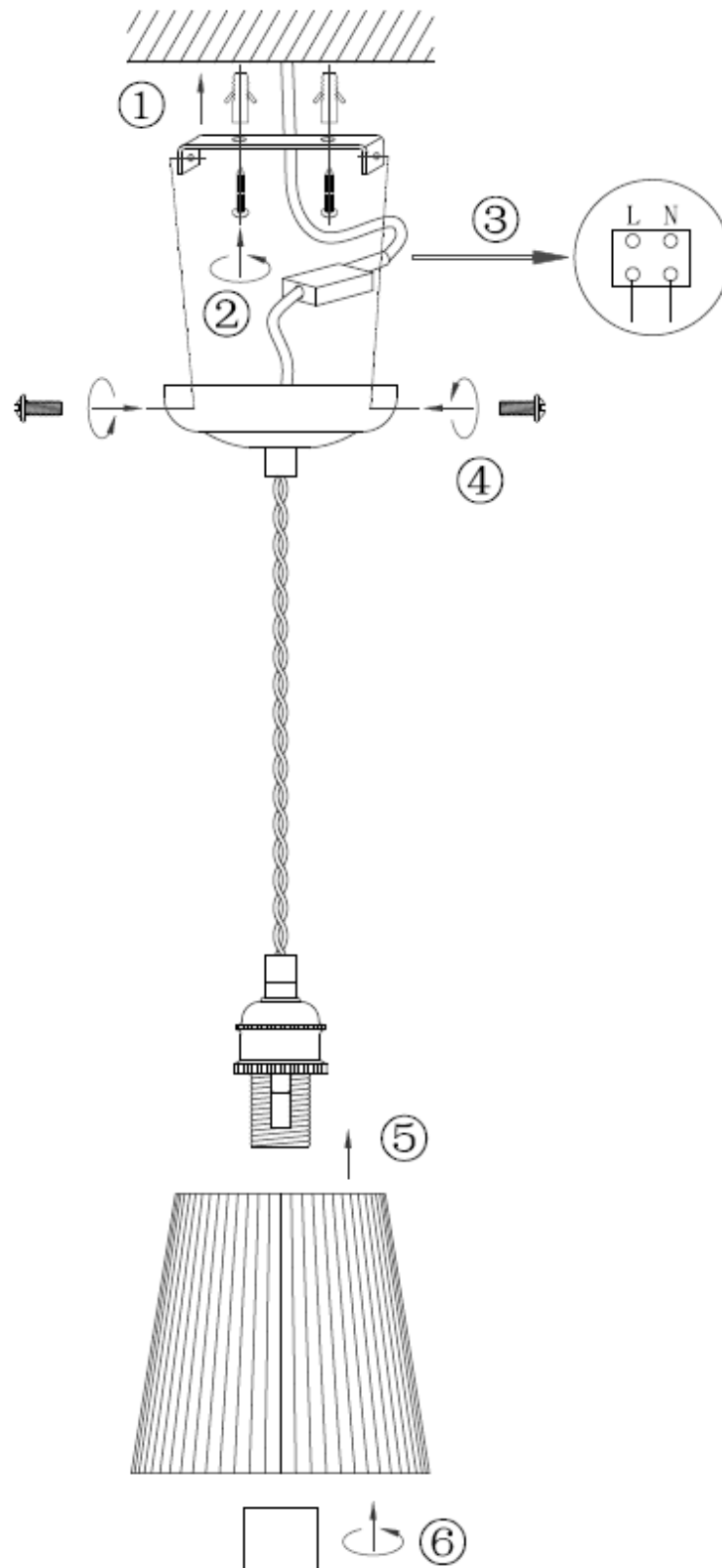
- \* If you are in any doubt consult a person competent to give advice on the installation of electrical equipment.
- \* This fitting should be fitted in accordance with IEE Wiring Regulations and the Building Regulations.
- \* To prevent electrocution switch off at the mains supply before installing or maintaining this fitting. Ensure other persons cannot restore the electricity supply without your knowledge.
- \* To avoid damage to concealed wiring during installation, establish the direction of the supply cable before drilling fixing holes.
- \* This fitting is double insulated =  therefore no earth is required and should be fitted to a lighting supply protected by a 5 amp fuse or equivalent circuit breaker.
- \* Always be sure to use the correct type and wattage of lamp, as indicated on the fitting. Never exceed the wattage stated.
- \* When changing the lamp, always switch off at the mains and allow the old lamp to cool down before handling. Dispose of used lamps carefully.
- \* Place this product out of direct sunlight.

### INSTALLATION

1. Ensure the house electricity supply is off at the fuse board.
2. Before removing the existing rose, carefully note the position of each set of cables. If there are loop in cables that are not connected to the light these must be terminated in a separate terminal block not connected to the fitting.
3. Remove mounting bracket from fitting by undoing retaining screws. Using the bracket as a template, mark and then drill the fixing holes in the ceiling. Ensure that the holes are drilled into a joist or other suitable mounting and not just the plaster ①
4. Fix the mounting bracket to ceiling using suitable fixings. **Take care not to damage wiring** ②
5. Cable drop length can be adjusted at this point by loosening the nylon cord grip clamp with a screwdriver inside the ceiling cup. Pull any excess cable through the ceiling cup and retighten the cord clamp.
6. **Weight of the fitting must be supported whilst you make the make electrical connections as follows:** ③
  - Connect the supply live (normally brown or red) to fitting live (marked “L”) on the terminal block.
  - Connect the supply neutral (normally blue or black) to fitting neutral (marked “N”) on the terminal block.Ensure electrical connections are tight and no loose strands of wire are left out of the connector block.  
This fitting is double insulated and no earth should be connected to any part of this fitting. If there are earth wires present please terminate these into a separate terminal block (not supplied) to ensure continuity for the house earth circuit is maintained. Wrap the earth terminal block in 2 layers of good quality insulation tape and make sure the terminal block is kept away from the fitting.
7. Attach the fitting to the mounting bracket using the retaining screws removed earlier. Take care not to trap wires in the process ④
8. To fit the shade: ⑤ Remove the shade ring already attached to the lamp holder fit the shade over the top of the lamp holder and secure into position by refitting the shade ring. Take care not to over tighten as this may cause damage ⑥
9. Fit the bulbs type and wattage as shown on fitting. **The wattage indicated must not be exceeded**
10. Switch on the electricity supply at the fuse board.

# LAURA ASHLEY

IL4417



## GENERAL INFORMATION

This fitting is designed for internal use only and must be fitted to a DRY SURFACE as any dampness in plaster or paint can damage the finish. **Do not use polish or abrasive cleaner - just a soft dry cloth.**