

HIGHGROVE FLOOR LAMP ASSEMBLY INSTRUCTIONS

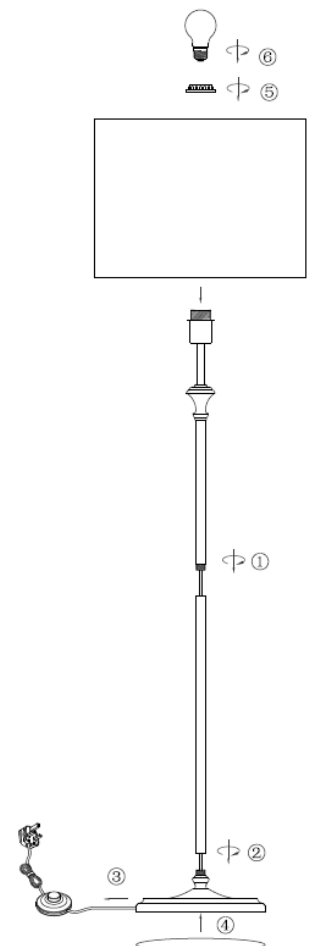
These instructions are provided for your safety.
Please read carefully before commencing work and retain for future reference.

SAFETY INFORMATION

- * The supply cable runs through the inside of this product. Take care not to place undue stress on the cable whilst unpacking to prevent the possibility of a poor connection.
- * If you are in any doubt consult a person competent to give advice on the assembly of electrical equipment.
- * Always be sure to use the correct type and wattage of bulbs as indicated on the fitting. Do not exceed wattage stated.
- * If the external flexible cable of the lamp is damaged it shall be exclusively replaced by the manufacturer or his service agent or a similar qualified person in order to avoid a hazard.
- * To prevent electrocution switch off at the mains supply before assembling or maintaining this fitting. Ensure the plug is not connected to any power supply and read instructions before assembly.
- * When changing the bulb, always unplug from the mains and allow the old bulb to cool down before handling. Dispose of used bulbs carefully.
- * **If moving the floor lamp always carry it from the base. Do not lift the floor lamp by the stem only as damage may occur**
- * Place this product out of direct sunlight.

ASSEMBLY INSTRUCTIONS

1. Unpack the product and remove all packaging. Be careful not to scratch the surface of the product whilst removing the plastic wrapping.
2. Lay the product out on the floor. If the floor is not carpeted please cover it with a soft cloth to avoid damage to the flooring and surface of the product. Assembly should take place with the product lying flat. It may be necessary to remove protective packaging (plastic / cardboard) located at cable.
3. Screw the lower pole onto the bulb holder section, taking care to hold the poles parallel to avoid cross threading. Hold the bulb holder section still and only turn the lower pole so as not to twist the cable. If cross threading occurs undo and start again ①
4. Turn the base onto the lower pole. Keep poles parallel to avoid cross threading. Keep the pole stationary and only rotate the base ②
5. Gently pull any excess cable through the hole in the base ③
6. Attach the foam pad onto the base of the product to protect the floor when in use ④
7. Stand the floor lamp upright and ensure all the assembled parts are fully tightened.
8. Fit the shade: ⑤ Remove shade ring already attached to the bulb holder, offer shade over the bulb holder and refit shade ring to secure shade in place
9. Fit bulb: type and wattage as indicated on fitting. **The wattage indicated must not be exceeded** ⑥
10. Floor lamp is now ready for use.



GENERAL INFORMATION

This fitting is designed for internal use only and must be fitted to a DRY SURFACE as any dampness in plaster or paint can damage the finish. **Do not use polish or abrasive cleaner - just a soft dry cloth.**