

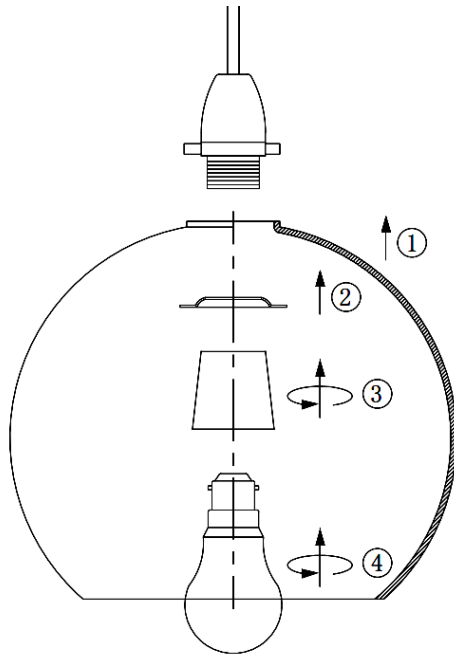
## EDISON TO BAYONET METAL SHADE REDUCER FITTING INSTRUCTIONS

No experience of electrical wiring is required to install this pendant.

Fitting and changing a light bulb.

Make sure the electricity is switched off at the fuse board before removing bulb.

1. Ensure the lamp holder is in good condition and is not damaged before proceeding.
2. Allow the old bulb to cool down before handling. Remove existing light bulb from lamp holder.
3. Carefully remove lower half of lamp holder. Inspect lamp holder to ensure it is not damaged and cable can support shade.
4. Hold lower half of lampholder ③ + shade reducer ② + shade ① as shown.
5. Hold lamp holder then place this through shade gimbal and secure parts by rotating lower half onto lampholder thread. If lower half of lampholder cannot be tightened onto shade reducer, undo the lower half of lampholder and try again, it might have become cross threaded.
6. **IMPORTANT:** Ensure shade reducer is fully secured onto lamp holder before releasing.
7. **Fit the bulb:** Type and wattage as indicated on the product. ④
8. Switch the electricity back on at the fuse board. You may now switch on the light.



## EDISON TO BAYONET METAL SHADE REDUCER FITTING INSTRUCTIONS

No experience of electrical wiring is required to install this pendant.

Fitting and changing a light bulb.

Make sure the electricity is switched off at the fuse board before removing bulb.

1. Ensure the lamp holder is in good condition and is not damaged before proceeding.
2. Allow the old bulb to cool down before handling. Remove existing light bulb from lamp holder.
3. Carefully remove lower half of lamp holder. Inspect lamp holder to ensure it is not damaged and cable can support shade.
4. Hold lower half of lampholder ③ + shade reducer ② + shade ① as shown.
5. Hold lamp holder then place this through shade gimbal and secure parts by rotating lower half onto lampholder thread. If lower half of lampholder cannot be tightened onto shade reducer, undo the lower half of lampholder and try again, it might have become cross threaded.
6. **IMPORTANT:** Ensure shade reducer is fully secured onto lamp holder before releasing.
7. **Fit the bulb:** Type and wattage as indicated on the product. ④
8. Switch the electricity back on at the fuse board. You may now switch on the light.

