

LAURA ASHLEY


IL4689

ELKWOOD 3 LIGHT CRYSTAL CANDELABRA INSTALLATION INSTRUCTIONS

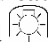
These instructions are provided for your safety.

Please read carefully before commencing work and retain for future reference.

SAFETY INFORMATION

- * If you are in any doubt consult a person competent to give advice on the installation of electrical equipment.
- * This fitting should be fitted in accordance with IEE Wiring Regulations and the Building Regulations.
- * To prevent electrocution switch off at the mains supply before installing or maintaining this fitting. Ensure other persons cannot restore the electricity supply without your knowledge.
- * To avoid damage to concealed wiring during installation, establish the direction of the supply cable before drilling fixing holes.
- * This fitting is Class I = $\frac{1}{\equiv}$ and should be fitted to a lighting supply (with earth) protected by a 5 amp fuse or equivalent circuit breaker.
- * Always be sure to use the correct type and wattage of bulbs as indicated on the fitting. Never exceed the wattage stated.
- * When changing the bulb, always switch off at the mains and allow the old bulb to cool down before handling. Dispose of used bulbs carefully.
- * This fitting is designed for use with self-shielded tungsten halogen lamps = 
- * Place this product out of direct sunlight.

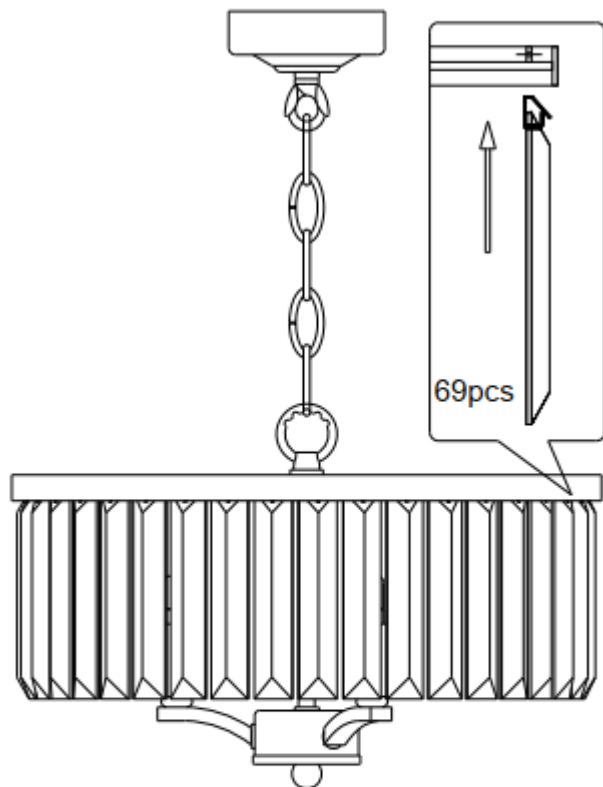
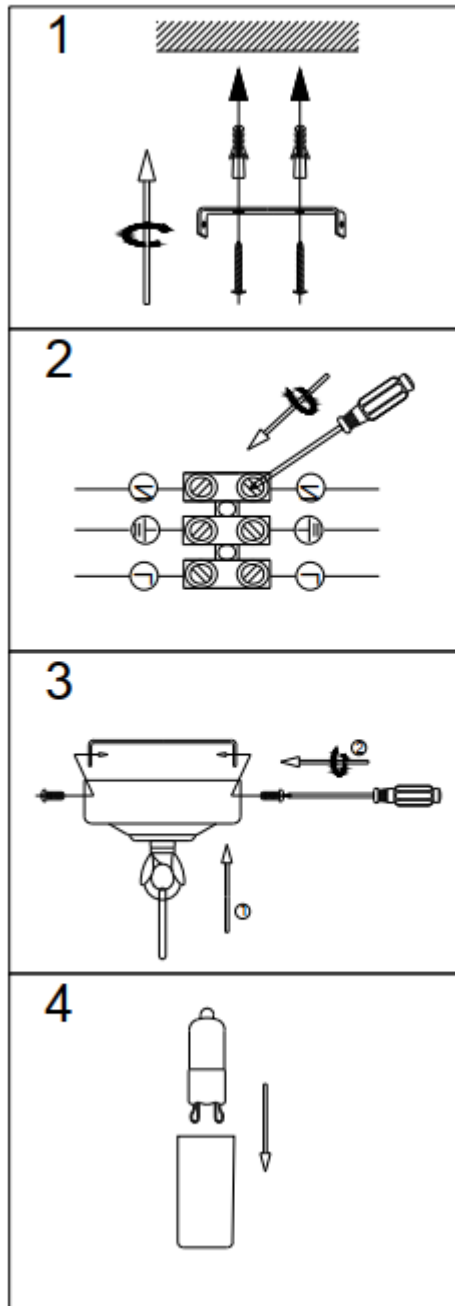
INSTALLATION

1. Ensure the house electricity supply is off at the fuse board.
2. Before removing the existing rose, carefully note the position of each set of cables. If there are loop in cables that are not connected to the light these must be terminated in a separate terminal block not connected to the fitting.
3. Remove mounting bracket from fitting by undoing retaining screws. Using the bracket as a template, mark and then drill the fixing holes in the ceiling. Ensure that the holes are drilled into a joist or other suitable mounting and not just the plaster.①
4. Fix the mounting bracket to ceiling using suitable fixings. **Take care not to damage wiring.**
5. **The height of the fitting is adjustable prior to electrical installation only.**
To adjust the length of cable, pull the metal support wires through into the ceiling cup until the desired height is achieved. If you wish to lengthen the wire again simply push the small tube that the wire passes through in on itself (it is spring loaded) and gently pull the wire back through to the desired length, as soon as the tube is released it will automatically lock in position again. With the support wire length achieved pull the supply cable through into the ceiling cup until the desired length is achieved. Ensure that the supply cable is left slack so it is the metal support wire taking all of the strain of the weight once installed and not the supply cable.
6. Use a screwdriver to lever open the connector block housing and feed supply cable through the rubber sleeve. Whilst supporting the weight of the fitting, make electrical connections as follows:②
 - Connect supply live (normally brown or red) to fitting live (marked “L”) on the terminal block.
 - Connect supply neutral (normally blue or black) to fitting neutral (marked “N”) on the terminal block.
 - Connect supply earth (normally green/yellow or unsheathed) to earth (marked “ $\frac{1}{\equiv}$ ”) on terminal block.Ensure electrical connections are tight and no loose strands of wire are left out of the terminal block. Ensure terminals and rubber sleeve is correctly seated then close connector block housing by snapping together.
7. Attach the fitting to the mounting bracket using the retaining screws removed earlier. Take care not to trap wires in the process ③
8. Fit the bulbs: Type and wattage as indicated on the fitting. **The wattage indicated must not be exceeded** ④
If using tungsten-halogen bulbs these must be of self-shielded type marked  Do not touch halogen bulbs with bare hands as this will shorten their life.

LAURA ASHLEY

IL4689

9. Fitting the decorative droppers: Carefully remove the protective wrapping surrounding the droppers. Gently pass the metal retaining clip located at the top of each panel through the holes in the metal frame and squeeze the clip closed to fix in place. Note, the pointed edge of the dropper should be facing outwards when installed.
10. Switch on the electricity supply at the fuse board.



GENERAL INFORMATION

This fitting is designed for internal use only and must be fitted to a DRY SURFACE as any dampness in plaster or paint can damage the finish. **Do not use polish or abrasive cleaner - just a soft dry cloth.**