

RUBBER WOOD FLOOR LAMP WITH SHADE (WITH KNOCK DOWN SHADE)

These instructions are provided for your safety.

Please read carefully before commencing work and retain for future reference.

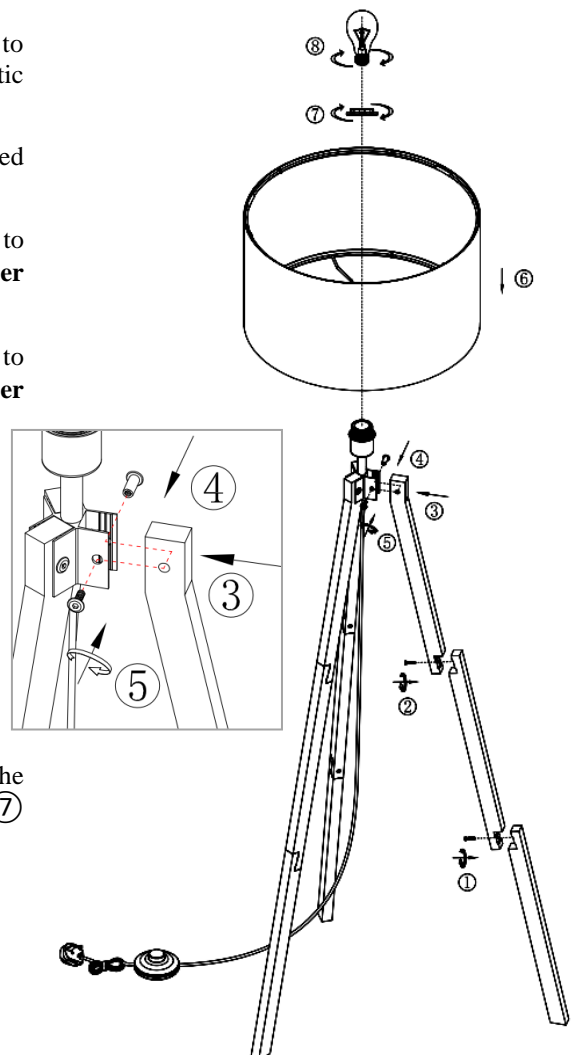
SAFETY INFORMATION

- * If the flexible cable of this product is damaged it should be exclusively replaced by the manufacturer or a similar qualified person in order to avoid a hazard.
- * To prevent electrocution switch off at the mains supply before assembling or maintaining this fitting. Ensure the plug is not connected to any power supply and read instruction before assembly.
- * This fitting is fitted with a 3 Amp fuse and is suitable for 240 Volt ring mains.
- * Always be sure to use the correct type and wattage of bulbs as indicated on the fitting. Never exceed the wattage stated.
- * When changing the bulb, ensure product is unplugged and allow the old bulb to cool down before handling. Dispose of used bulbs carefully.

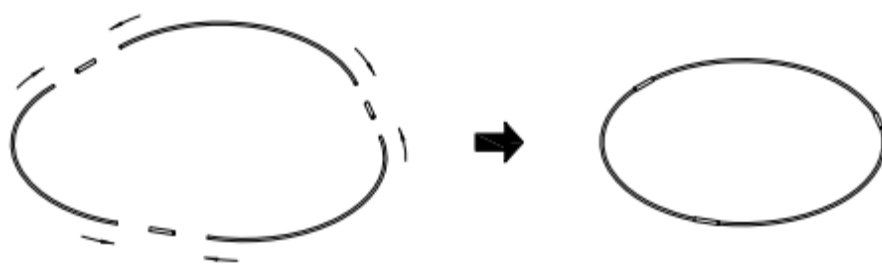
Parts Included - 1 x KD shade assembly, 3 x lower stem, 3 x mid stem, 3 x upper stem, 6 x fixing screws, 1 x lampholder assembly, 1 x shade gimbal, 3 x fixing screws + threaded insert for upper.

ASSEMBLY INSTRUCTIONS

1. Unpack the product and remove all packaging. Be careful not to scratch the surface of the product whilst removing the plastic wrapping.
2. Locate and lay the component parts onto a clear covered surface.
3. Join lower and mid sections together and use screws provided to secure wooden sections together. **① Take care not to over tighten screws.**
4. Join mid and top sections together and use screws provided to secure wooden sections together. **② Take care not to over tighten screws.**
5. Fit the assembled stems into the lampholder section metal supports **③** and align the holes then fit a threaded insert through righthand side of the hole, **④** you may need to manipulate wooden stem. Use fixing screw provided to secure wooden stem into position. **⑤ Take care not to over tighten screw.**
6. Stand the floor lamp upright to check all assembled sections are fully tightened, take care not to over tighten.
7. Remove the shade ring from the lamp holder then attach the shade, **⑥** secure this into position using the shade ring. **⑦ Take care not to over tighten.**
8. Fit bulb: type and wattage as indicated. **⑧ The wattage indicated must not be exceeded.**
9. Floor lamp is now ready for use.



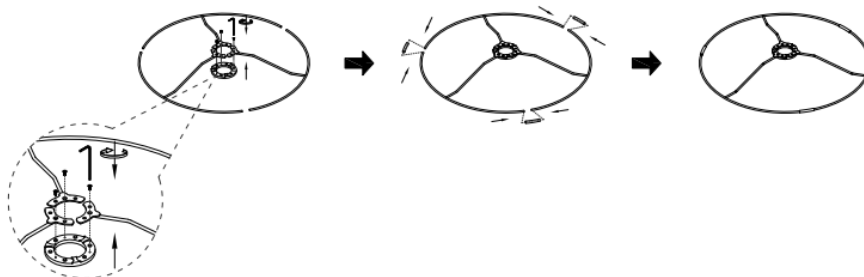
ASSEMBLE KNOCK DOWN SHADE



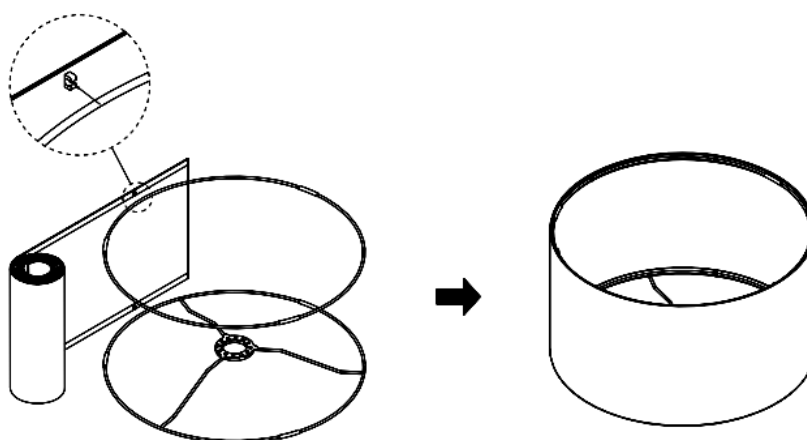
- a) Unpack the shade pieces and lay these onto a clear clean surface.
- b) Assemble top ring by first fitting a pin into a curved section then join this onto the next

curved section then repeat this process until all 3 pins and curved sections have been joined to make a complete circle.

- c) Locate the shade gimbal sections with 1 x gimbal ring + 3 x pins + 3 x curved sections with struts and lay these onto a clear surface.
- d) Use a pin to join one curved section with another curved section then repeat this for the other sections to make a complete circle.
- e) To secure the assembled sections together, use shade gimbal ring and hex screws provided to bolt the sections together, place the assembled shade lower ring onto a level surface to make sure it is level, and the gimbal is level.



- f) Shade material is supplied rolled and has magnetic strips at the top and bottom, there are also clips.
- g) Leave the shade material rolled, unwind this to the point where clips are visible, clip these onto the shade rings then gently unwind and attach shade material onto the rings whilst making sure shade rings have been correctly positioned. You may need to rollback shade material from rings where it appears alignment is off.



GENERAL INFORMATION

This floor lamp is designed for internal use only.

Do not use polish or an abrasive cleaner - just a soft dry cloth.

To register your product for an extended five-year warranty, please complete the simple form at

www.darlighting.co.uk/warranty

You'll need to fill in the details of the product, the retailer you purchased it from, and also the installer and the installation. Please also upload a clear copy of the original purchase invoice or receipt to complete this registration.

UK: där Lighting Ltd, Wildmere Road, Banbury, Oxon, OX16 3JZ

Ireland & EU: Dar Lighting Ireland Limited, Suite 108, Q House, 76 Furze Road, Sandyford Industrial Estate, Dublin 18