

UPTON WALL LIGHT INSTALLATION INSTRUCTIONS

These instructions are provided for your safety.
Please read carefully before commencing work and retain for future reference.

SAFETY INFORMATION

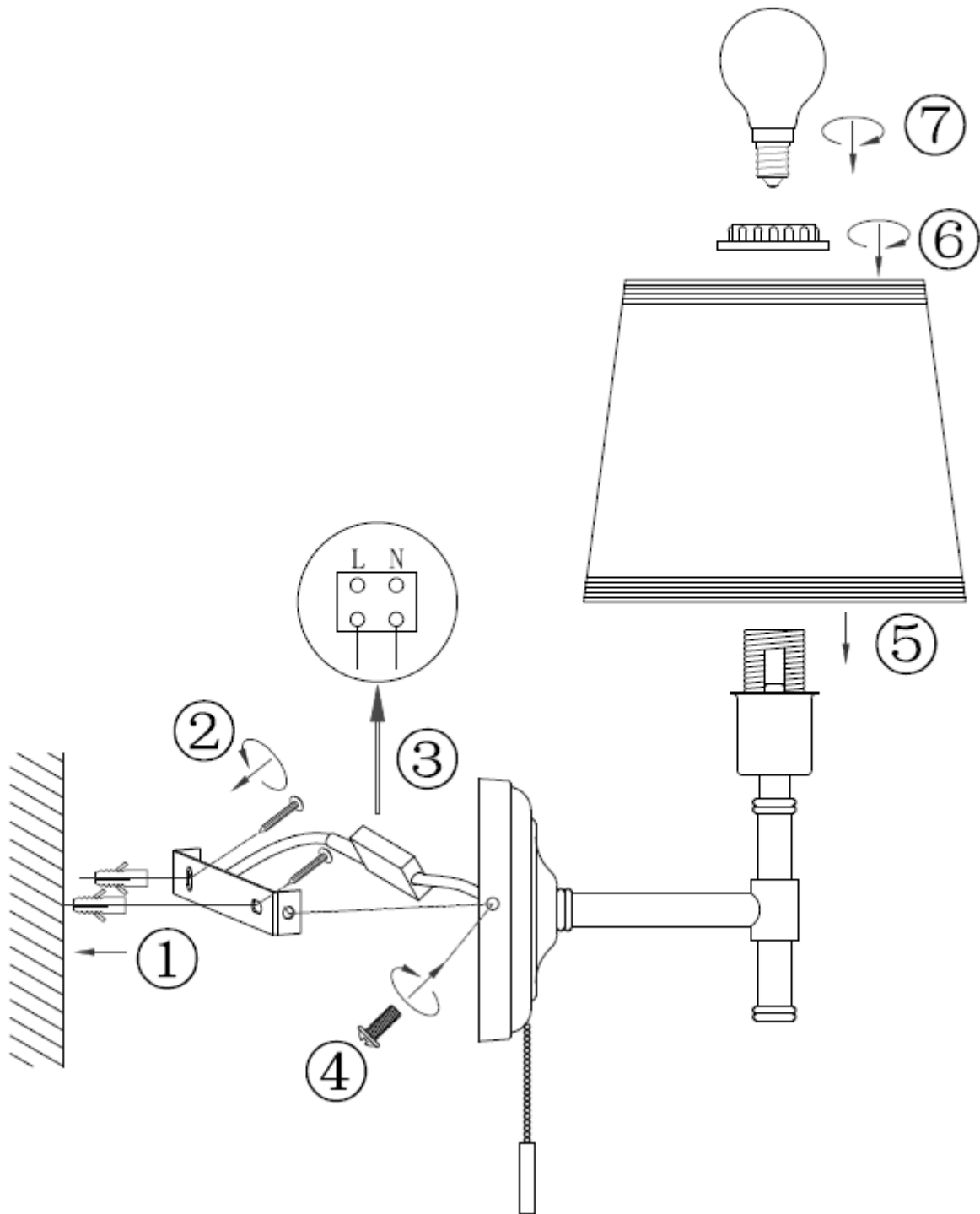
- * It is recommended that a qualified electrician is used to install this product.
- * If you are in any doubt consult a person competent to give advice on the installation of electrical equipment.
- * This fitting should be fitted in accordance with IEE Wiring Regulations and the Building Regulations
- * To prevent electrocution, switch off at the mains supply before installing or maintaining this fitting. Ensure other persons cannot restore the electricity supply without your knowledge.
- * To avoid damage to concealed wiring during installation, establish the direction of the supply cable before drilling fixing holes.
- * This fitting is Class 2= and should be fitted to a lighting supply protected by a 5 amp fuse or equivalent circuit breaker.
- * When changing the bulb, always switch off at the mains and allow the old bulb to cool down before handling. Dispose of used bulbs carefully.

INSTALLATION

1. Ensure the house electricity supply is off at the fuse board.
2. Before removing the existing fitting, carefully note the position of each set of cables. If there are loop in cables that are not connected to the light these must be terminated in a separate terminal block not connected to the fitting.
3. Remove mounting bracket from fitting by removing the retaining screws and washers, retain for later.
4. Using the mounting bracket as a template, mark and then drill the fixing holes in the wall. Ensure the screws are firmly fixed into a solid or other suitable mounting and not just the plasterboard ①
5. Attach the mounting bracket to the wall using suitable fixings. **Take care not to damage wiring** ②
6. Use a screwdriver to lever open the connector block housing and feed supply cable through the rubber sleeve. Whilst supporting the weight of the fitting, make electrical connections as follows: ③
 - Connect supply live (normally brown or red) to fitting live (marked “L”) on the terminal block.
 - Connect supply neutral (normally blue or black) to fitting neutral (marked “N”) on the terminal block.Ensure electrical connections are tight and no loose strands of wire are left out of the terminal block. Ensure terminals and rubber sleeve is correctly seated then close connector block housing by snapping together.
Please note: No earth should be connected to any part of this fitting. If any earth wires are present please terminate these in a separate terminal block (not supplied) to ensure that continuity is maintained for the earth circuit.
7. Offer fitting up to mounting bracket and secure in place using the screws and any washers removed earlier. **Take care not to trap or damage wiring in the process** ④
8. Fit the shade by first removing the shade ring already attached to the lamp holder ⑤ Place the hole in the shade ⑥ over the lamp holder and refit the shade ring to secure in place. Take care not to over-tighten as this may cause damage to the fitting.
9. Fit the bulb: Type and wattage as indicated on the fitting. **The wattage indicated must not be exceeded** ⑦
10. Switch on the electricity supply at the fuse board.

JOULES

IL4785



GENERAL INFORMATION

This fitting is designed for internal use only and must be fitted to a DRY SURFACE as any dampness in plaster or paint can damage the finish. **Do not use polish or abrasive cleaner - just a soft dry cloth.**