

## SEAGRASS SHADE FLOOR LAMP

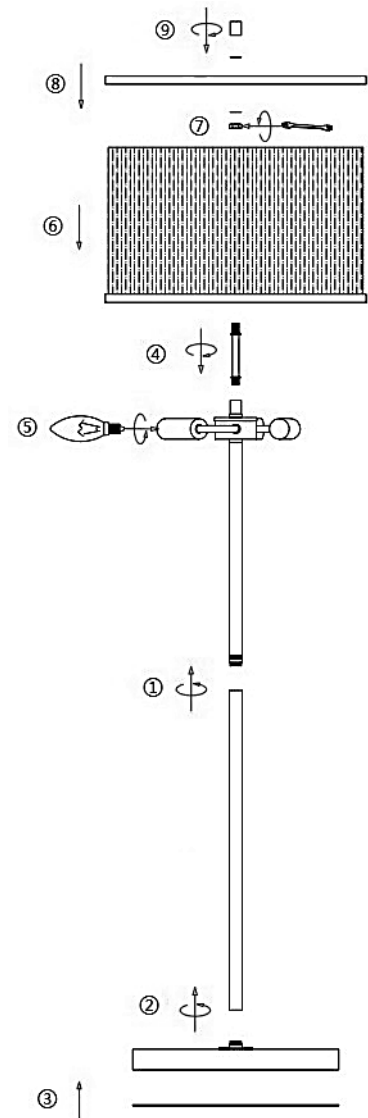
These instructions are provided for your safety.  
Please read carefully before commencing work and retain for future reference.

### SAFETY INFORMATION

- \* The supply cable runs through the inside of the fitting. Take care not to place undue stress on the cable whilst unpacking to prevent the possibility of a poor connection.
- \* If the external flexible cable of the lamp is damaged it shall be exclusively replaced by the manufacturer or his service agent or a similar qualified person in order to avoid a hazard.
- \* If you are in any doubt consult a person competent to give advice on the assembly of electrical equipment.
- \* To prevent electrocution switch off at the mains supply before assembling or maintaining this product. Ensure the plug is not connected to any power supply and read instructions before assembly.
- \* Always be sure to use the correct type and wattage of bulbs as indicated on the product. **Do not exceed wattage stated.**
- \* When changing the bulb, always switch off at the mains and allow the old bulb to cool down before handling.  
Dispose of old bulbs carefully.

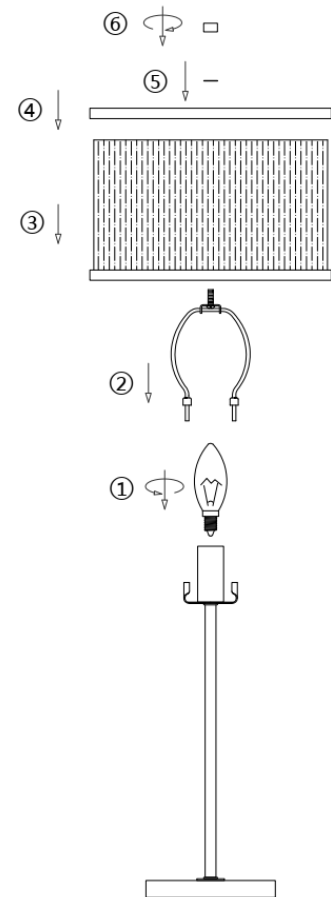
### ASSEMBLY INSTRUCTIONS

1. Unpack the floor lamp and remove all packaging. Be careful that you do not scratch surface of the stems whilst removing plastic wrapping.
2. Cover floor with a soft cloth to avoid damage to the flooring and surface of the product then lay this product out on the floor. Assembly should take place with the product lying flat.
3. Where required remove the plastic / cardboard cable protectors that are fitted at cable entry points inside stems and floor lamp base.
4. Firmly hold the lamp holder stem and then screw the middle stem into the upper section together, taking care to hold stems parallel to avoid cross threading. ①
5. Gently pull the excess cable out of lower stem until it meets assembled stems.
6. Hold assembled stems firmly and screw lower stem into the assembled stems. ② Make sure that the threads do not become crossed. If in doubt unscrew stem, then start again. **Take care not to over tighten.**
7. Lay floor lamp onto a flat surface, peel off the protective film off base felt then attach this onto underside whilst making sure it is centred. ③
8. Attach the shot stem onto top of lampholder section. ④
9. **Fit bulb**, type and wattage as indicated on fitting. ⑤ **The wattage indicated must not be exceeded.**
10. Fit the shade gimbal over short stem ⑥ and use a retaining nut to secure shade, take care not to ⑦
11. Fit washer, glass diffuser with metal trim ⑧ then another washer on top then secure these with the finial, ⑨ take care not to over tighten.
12. Your floor lamp is now ready for use.



## SEAGRASS SHADE TABLE LAMP

1. Unpack the floor lamp and remove all packaging. Be careful that you do not scratch surface of the stems whilst removing plastic wrapping.
2. **Fit bulb**, type and wattage as indicated on fitting. ① **The wattage indicated must not be exceeded.**
3. Fit the 2 harp point into the fixing posts located on the bottom of the lampholder then make sure small cylinder sits correctly into position to lock the harp into position. ②
4. Fit the shade gimbal ③ onto the harp shade carrier then fit the glass diffuser with metal trim ④ then fit washer ⑤, secure into position using the finial ⑥, **take care not to over tighten the finial.**
5. Your table lamp is now ready for use.



### GENERAL INFORMATION

This floor lamp is designed for internal use only.

**Do not use polish or an abrasive cleaner - just a soft dry cloth.**

To register your product for an extended five-year warranty, please complete the simple form at

[www.darlighting.co.uk/warranty](http://www.darlighting.co.uk/warranty)

You'll need to fill in the details of the product, the retailer you purchased it from, and also the installer and the installation.  
Please also upload a clear copy of the original purchase invoice or receipt to complete this registration.

**UK:** där Lighting Ltd, Wildmere Road, Banbury, Oxon, OX16 3JZ

**Ireland & EU:** Dar Lighting Ireland Limited, Suite 108, Q House, 76 Furze Road, Sandyford Industrial Estate, Dublin 18