

LAURA ASHLEY


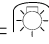
IL3240

FERNHURST WALL WASHER INSTALLATION INSTRUCTIONS


These instructions are provided for your safety.

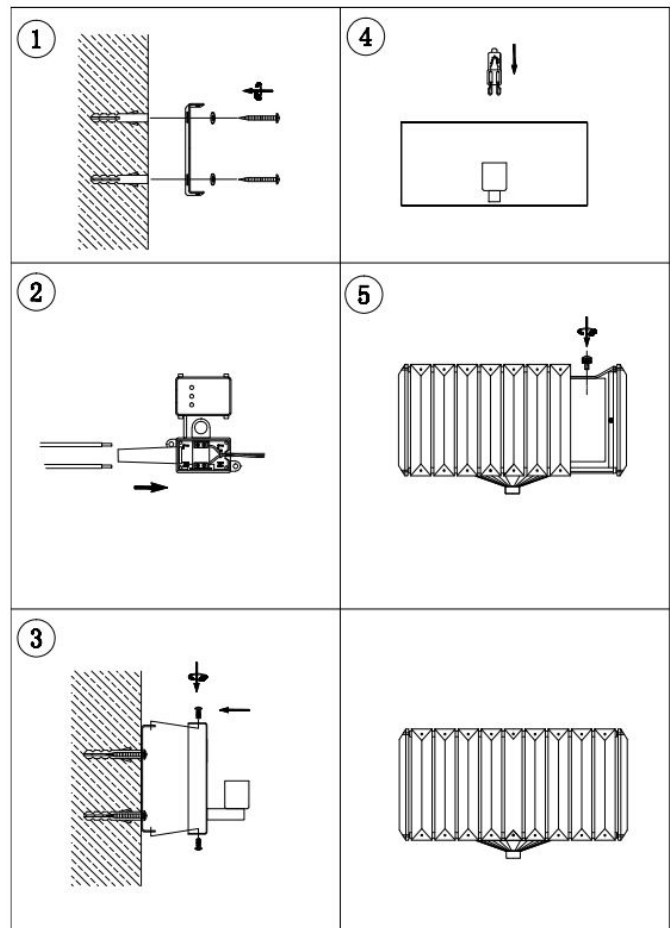
Please read carefully before commencing work and retain for future reference.

SAFETY INFORMATION

- * If you are in any doubt consult a person competent to give advice on the installation of electrical equipment.
- * This fitting should be fitted in accordance with current IEE Wiring Regulations and Building Regulations.
- * To prevent electrocution switch off at the mains supply before installing or maintaining this fitting. Ensure other persons cannot restore the electricity supply without your knowledge.
- * To avoid damage to concealed wiring during installation, establish the direction of the supply cable before drilling fixing holes.
- * This fitting is Class 2 =  therefore no earth is required and should be fitted to a lighting supply protected by a 5 amp fuse or equivalent circuit breaker.
- * Always be sure to use the correct type and wattage of bulbs as indicated on the fitting. Never exceed the wattage stated.
- * When changing the bulb, always switch off at the mains and allow the old bulb to cool down before handling. Dispose of used bulbs carefully.
- * This fitting is designed for use with self-shielded tungsten halogen lamps only = 

INSTALLATION

1. Ensure the house electricity supply is off at the fuse board.
2. If you are fitting this product in place of an existing one, you may find that there are more than 3 sets of cables connected. If there are loop in cables that are not connected to the light these must be terminated in a separate terminal block not connected to the fitting. Before removing existing fitting, carefully note position of each set of cables
3. Carefully remove the two top chrome thumb screws to release the front crystal shade from the product. Place shade to one side for refitting later. Remove the top and bottom screws from the wall bracket from the back plate and using the bracket and back plate as a template, mark and drill fixing holes in the wall. Ensure the holes are drilled into a solid wall or other suitable mounting and not just into plaster.
4. The weight of the fitting must be supported whilst making the electrical connections as follows: Use a screwdriver to lever open the connector block housing and feed supply cable through rubber sleeve. The weight of the fitting must be supported whilst making the electrical connections as follows:
Connect the supply live (normally brown or red) to fitting live (marked "L") on the terminal block.
Connect the supply neutral (normally blue or black) to fitting neutral (marked "N") on the terminal block.
Please note: No earth should be connected to any part of this fitting. If an earth is present please terminate these in a separate terminal block (not supplied) to ensure that continuity is maintained for the earth circuit.
Ensure electrical connections are tight and no loose strands of wire are left out of the connector block. Ensure terminals and rubber sleeve are correctly seated then close connector block housing.
5. Offer the back plate with bulbholder attached up to the mounting bracket and secure in place using the screws removed earlier. Ensure that the fitting is securely attached. **Take care not to damage wiring.**
6. Fit the bulb: Type and wattage as indicated on the fitting. **The wattage indicated must not be exceeded.** Use only self shielded bulbs.  Do not touch halogen bulbs with bare hands as this will shorten their life.
7. Refit the front crystal shade by positioning over the top of the back plate already fitted to the wall. Align the holes on either side of the top of the shade frame with those in the top of the back plate and secure in place using the chrome thumb-screws removed earlier.
8. Switch on the electricity supply at the fuse board.



GENERAL INFORMATION

This fitting is designed for internal use only and must be fitted to a DRY SURFACE as any dampness in plaster or paint can damage the finish. **Do not use polish or abrasive cleaner - just a soft dry cloth.**