



## PRODUCT SPECIFICATION

<b>Charge Voltage:</b>	5 Volts DC Charge cable provided USB A to USB-C
<b>Lamp Type:</b>	LED (Light Emitting Diode)
<b>Material:</b>	Metal & glass
<b>Battery Type:</b>	Li-on Lithium ion (not replaceable)
<b>Battery Capacity:</b>	2000mA
<b>Battery Charge Time:</b>	Fast-Charge (10 watts) approx. 3 hours. Standard charge (5 watts) approx. 6 hours
<b>Usage Time:</b>	Approx. 4-5 hours from fully charged. (100 % brightness)
<b>IP Rating:</b>	N/A
<b>LED Light Output:</b>	190Lm, 3,000K, 1.8 watts
<b>Parts Included:</b>	USB-C Charge cable. (Not part of product, any colour)

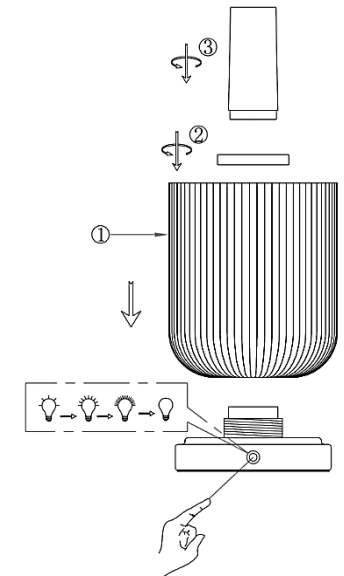


## ATTENTION!

- \* LED unit is supplied and fitted with Li-ion battery.
- \* There are no serviceable parts inside this LED product.
- \* If charge cable is damaged it must be replaced.
- \* Improper opening of the device, tampering or changes to the product will invalidate the warranty.
- \* Use only recommended power source and adaptor.
- \* We recommend charging this LED product indoors.
- \* Do not submerge this LED product into water.
- \* When not in use ensure USB charging socket does not get filled debris entering socket.
- \* Do not subject LED product to excessive heat particularly at the top where the battery is located.
- \* If the battery drains quicker than previously after full charge is indicated, it is reaching end of its useful life span.
- \*  This product contains LED circuit and Li-ion battery, dispose of these safely at their end of life.  
 Please obtain disposal advice from your local authority.

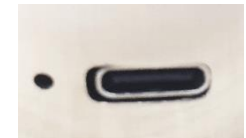
## TABLE LAMP ASSEMBLY

- 1) Locate a clear covered flat surface unpack then unwrap component parts.
- 2) Place the large, ribbed glass onto the touch table lamp. ①
- 3) Secure the glass using shade ring provided. ②
- 4) Screw the opal cylinder onto the lamp holder, take care not to over tighten the glass. ③



## OPERATION

- a) Before use charge the battery fully.
- b) Plug USB-C charge cable into USB-C port, whilst charging small window next to the port will illuminate red.
- c) When charging process is complete small window next to the port will illuminate green, charge cable can now be safely removed. Charging time will be dependent on how much charge is in the battery.
- d) Touch the button located at the front of this product then release.



Stage 1 touch – **10%**

Stage 2 touch – **50%**

Stage 3 touch – **100%**

Touch again to switch - **OFF**



## **BATTERY SAFETY PRECAUTIONS**

- The battery must only be charged using a USB charger (standard or Fast-Charge)
- The product may only be charged with USB A to USB-C charger lead. (supplied)  
**Important: some proprietary charge cables may not be compatible for use with this product.**
- Do not attempt to disassemble, alter or apply heat to the battery!
- In case of leakage, do not allow liquid to come into contact with skin. If liquid is spilt on clothes or skin immediately wash off with water.
- Should skin problems occur after handling this product, contact a doctor.
- Always unplug the LED unit from the charger when it is fully charged or when not in use.
- When the product is stored under 25 degrees Celsius it can be left for up to 5 months. If left for longer than this period, make sure to charge it fully again.

**To maintain a longer battery life, we recommend you allow the battery to deplete at least once a month and then fully charge it before use.**

## **TROUBLE SHOOTING**

Should you experience any difficulties, check the fault types below:

<b>FAULT</b>	<b>POSSIBLE CAUSE</b>	<b>SOLUTION</b>
Unit does not work	<ul style="list-style-type: none"><li>• LED unit might have been switched off.</li><li>• Battery depleted.</li></ul>	<ul style="list-style-type: none"><li>• Make sure switch located on the top of the light is depressed to switch it on.</li><li>• Charge the battery using USB A to USB-C lead supplied and allow the LED light to turn to green.</li></ul>
Battery not taking charge	<ul style="list-style-type: none"><li>• Battery depleted.</li><li>• Connection issue</li></ul>	<ul style="list-style-type: none"><li>• Connect charge cable and plug this into USB charger and make sure charge indicator is illuminated.</li><li>• Unplug the charge adaptor and reconnect.</li></ul>
Battery gets depleted quickly.	<ul style="list-style-type: none"><li>• Battery might not have been fully charged as assumed.</li></ul>	<ul style="list-style-type: none"><li>• Ensure battery is fully charged and charge indicator shows green.</li><li>• It may be the battery is coming to its end of life.</li></ul>

*UK: där Lighting Ltd, Wildmere Road, Banbury, Oxon, OX16 3JZ*  
*Ireland & EU: Dar Lighting Ireland Limited, Suite 108, Q House, 76 Furze Road, Sandyford Industrial Estate, Dublin 18*

**där**<sup>®</sup>  
lighting group



**3 STAGE TOUCH LED TABLE LAMP**  
**USB-C RECHARGEABLE**

# **INSTRUCTIONS**