

LAURA ASHLEY

IL4822

BUCKENHAM 2LT FLUSH INSTALLATION INSTRUCTIONS

These instructions are provided for your safety.

Please read carefully before commencing work and retain for future reference.

SAFETY INFORMATION

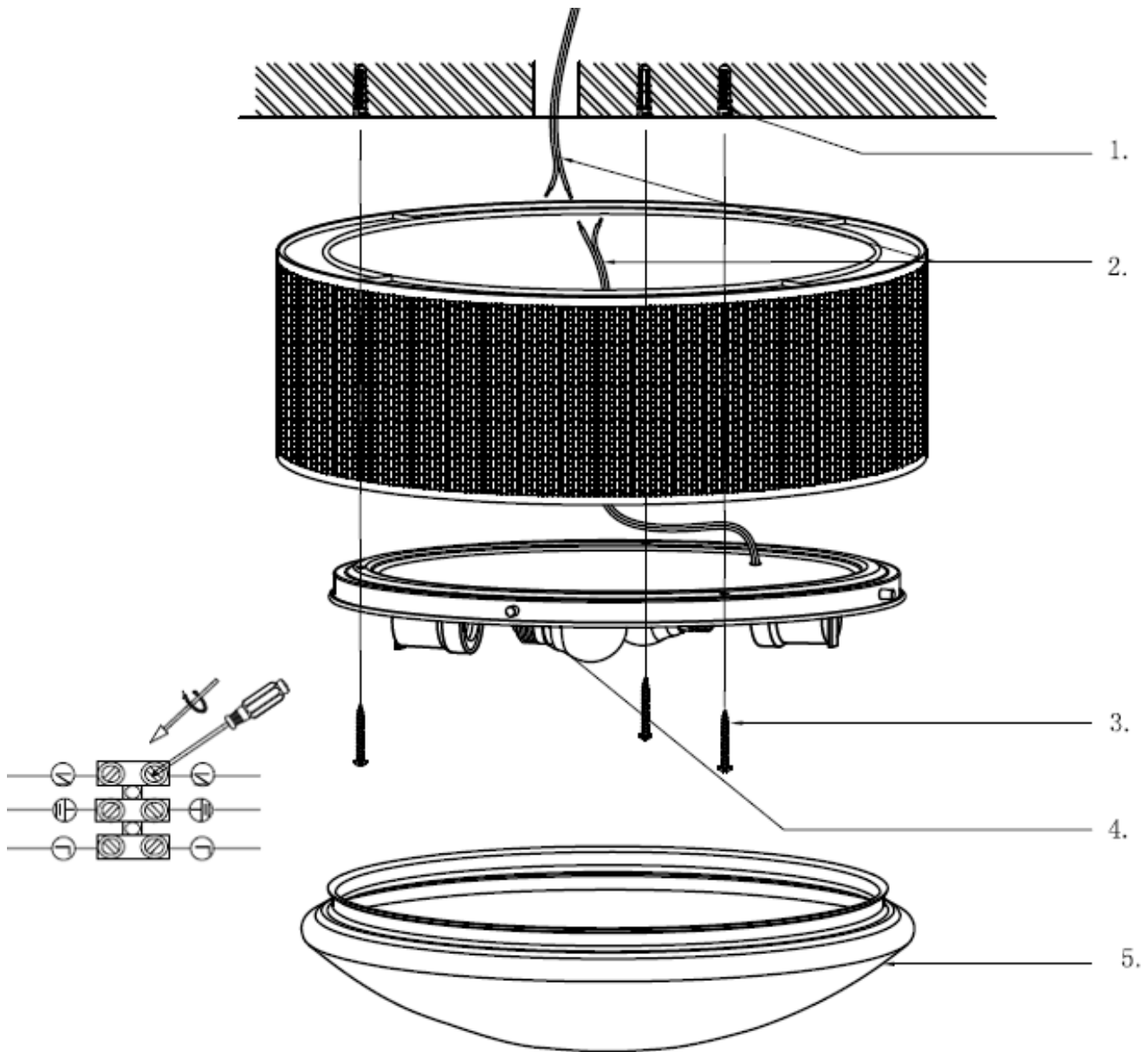
- * If you are in any doubt consult a person competent to give advice on the installation of electrical equipment.
- * This fitting should be fitted in accordance with IEE Wiring Regulations and the Building Regulations.
- * To prevent electrocution switch off at the mains supply before installing or maintaining this fitting. Ensure other persons cannot restore the electricity supply without your knowledge.
- * To avoid damage to concealed wiring during installation, establish the direction of the supply cable before drilling fixing holes.
- * This fitting is Class I = $\frac{1}{\text{I}}$ and should be fitted to a lighting supply (with earth) protected by a 5 amp fuse or equivalent circuit breaker.
- * Always be sure to use the correct type and wattage of bulbs as indicated on the fitting. Never exceed the wattage stated.
- * When changing the bulb, always switch off at the mains and allow the old bulb to cool down before handling. Dispose of used bulbs carefully.
- * Place this product out of direct sunlight.

INSTALLATION

1. Ensure the house electricity supply is off at the fuse board.
2. Before removing the existing rose, carefully note the position of each set of cables. If there are loop in cables that are not connected to the light these must be terminated in a separate terminal block not connected to the fitting.
3. Carefully remove diffuser from the fitting by holding this steady and rotating the fitting anticlockwise until the stop is reached then separate there by lifting fitting away. **Take care not to force fitting away from diffuser.**
4. Using the light fitting as a template, mark and then drill the fixing holes in the ceiling. Ensure that the holes are drilled into a joist or other suitable mounting and not just the plaster ①
5. Pass the household cable through the top of the outer fabric shade and through the cable entry hole at the rear of the fitting/mounting plate ② Secure the fitting onto the ceiling using suitable screws ③ **Ensure no wires are trapped and shade frame is centralised over the light fitting, sandwiching the two parts together before fully tightening the fixing screws.** (Note: The wire frame of the outer shade sits over the backplate of the light fitting as shown in the below diagram)
6. Make electrical connections as follows:
 - Connect supply live (normally brown or red) to fitting live (marked “L”) on the terminal block.
 - Connect supply neutral (normally blue or black) to fitting neutral (marked “N”) on the terminal block.
 - Connect supply earth (normally green/yellow or unsheathed) to earth (marked “ $\frac{1}{\text{I}}$ ”) on terminal block.Ensure electrical connections are tight and no loose strands of wire are left out of the terminal block.
7. **Fit the bulb:** Type and wattage as indicated on the fitting **The wattage indicated must not be exceeded.**
8. Fit the acrylic diffuser by positioning the cut-outs of the diffuser just left the metal securing pegs on the fitting. Push diffuser fully onto the fitting then turn clockwise to lock the parts into position. Take care not to damage the fabric shade whilst fitting the diffuser. Ensure all parts are fully secured before leaving unattended.
9. Switch on the electricity supply at the fuse board.

LAURA ASHLEY

IL4822



GENERAL INFORMATION

This fitting is designed for internal use only and must be fitted to a DRY SURFACE as any dampness in plaster or paint can damage the finish. **Do not use polish or abrasive cleaner - just a soft dry cloth.**