

# LAURA ASHLEY

IL4892

## KERSWELL 3LT SEMI FLUSH INSTALLATION INSTRUCTIONS

These instructions are provided for your safety.

Please read carefully before commencing work and retain for future reference.

### SAFETY INFORMATION

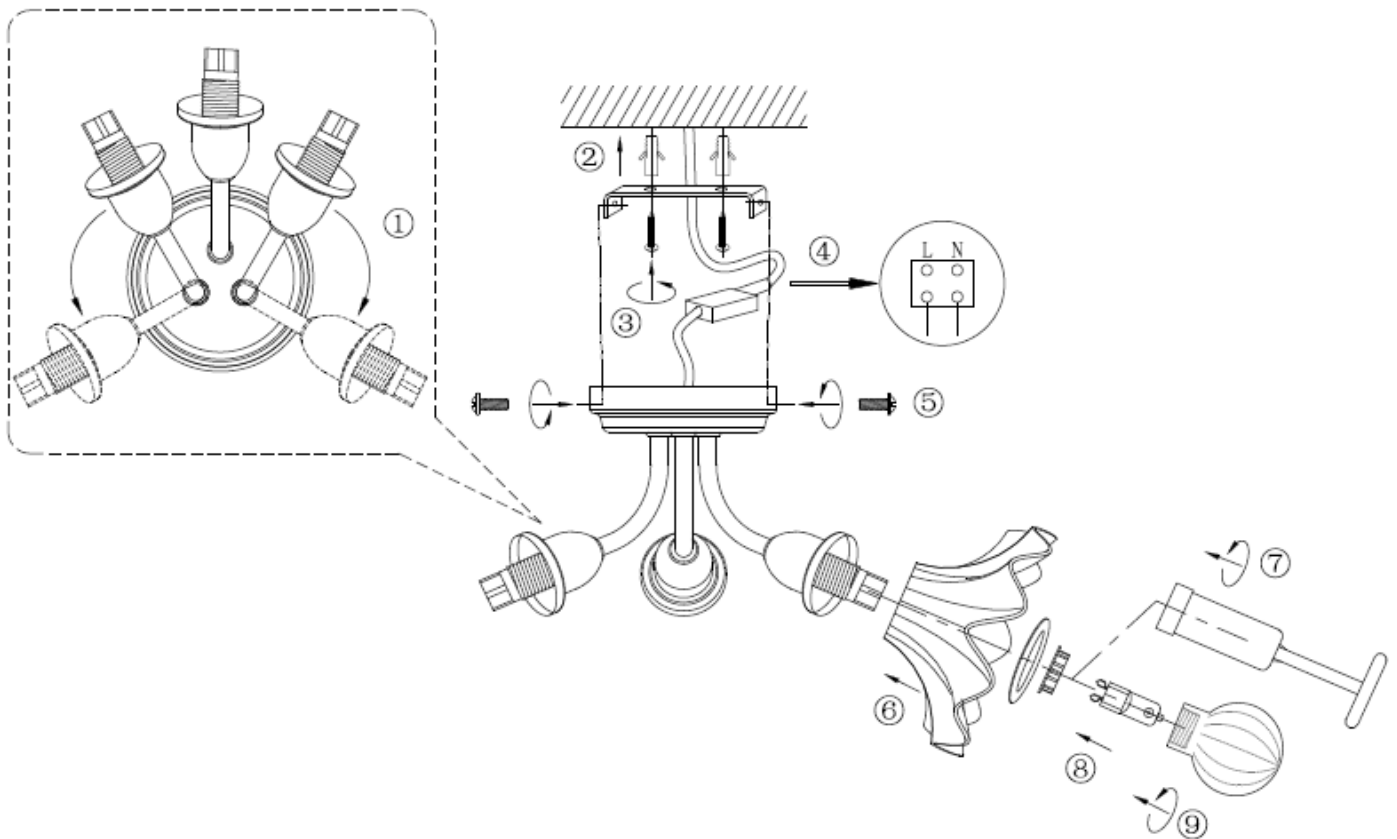
- \* If you are in any doubt consult a person competent to give advice on the installation of electrical equipment.
- \* This fitting should be fitted in accordance with current IEE Wiring Regulations and Building Regulations.
- \* To prevent electrocution, switch off at the mains supply before installing or maintaining this fitting. Ensure other persons cannot restore the electricity supply without your knowledge.
- \* To avoid damage to concealed wiring during installation, establish the direction of the supply cable before drilling fixing holes.
- \* This fitting is double insulated =  therefore no earth is required and should be fitted to a lighting supply protected by a 5 amp fuse or equivalent circuit breaker.
- \* Always be sure to use the correct type and wattage of bulbs as indicated on the fitting. Never exceed the wattage stated.
- \* When changing the bulb, always switch off at the mains and allow the old bulb to cool down before handling. Dispose of used bulbs carefully.

### INSTALLATION

1. Ensure the house electricity supply is off at the fuse board.
  2. If you are fitting this product in place of an existing one, you may find that there are more than 3 sets of cables connected. If there are loop in cables that are not connected to the light these must be terminated in a separate terminal block not connected to the fitting. Before removing existing fitting, carefully note position of each set of cables
  3. Two of the three arms of this product will arrive folded to save space end weight during transportation. Gently swing the two moving arms out into their intended positions until they lock into place ①
  4. Remove the mounting bracket from the ceiling cup by removing the 2 screws located in the side.
  5. Using the mounting bracket as a template, mark and drill fixing holes in the ceiling. Ensure the holes are drilled into a joist or other suitable mounting and not just into plaster ②
  6. Secure the mounting bracket to the surface using suitable fixings for the type of material ③
  7. The weight of the fitting must be supported whilst making the electrical connections as follows ④:  
Use a small flat bladed screwdriver to lever open the connector block housing.
    - Connect supply live (normally brown or red) to fitting live (marked "L") on the terminal block.
    - Connect supply neutral (normally blue or black) to fitting neutral (marked "N") on the terminal block.
- This fitting is double insulated and no earth should be connected to any part of this fitting. If there are earth wires present please terminate these into a separate terminal block (not supplied) to ensure continuity for the house earth circuit is maintained. Wrap the earth terminal block in 2 layers of good quality insulation tape and make sure the terminal block is kept away from the fitting.
8. Offer the fitting up to the mounting bracket and secure in place using the screws removed earlier ⑤ **Take care not to damage or trap any wiring.**
  9. Remove the metal shade rings and washers already attached to the lamp holders. Place the hole at the top of the shade glass over the lamp holder ⑥ place the metal washer over the top and place the shade ring into the plastic shade ring tool ⑦ Refit the shade ring to secure the parts in place to secure in place. Take care not to over-tighten as this may cause damage to the fitting.
  10. Fit the bulb: Type and wattage as indicated on the fitting ⑧ **The wattage indicated must not be exceeded.**
  11. Fit the inner glass by carefully placing over the bulb and rotating clockwise onto the threaded lamp holder. If cross-threading occurs, undo and start again. Take care not to overtighten ⑨
  12. Switch on the electricity supply at the fuse board.

# LAURA ASHLEY

IL4892



## GENERAL INFORMATION

For indoor use only

This fitting is designed for internal use only and must be fitted to a DRY SURFACE as any dampness in plaster or paint can damage the finish. **Do not use polish or abrasive cleaner - just a soft dry cloth.**