

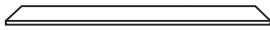
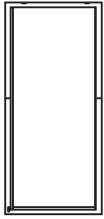

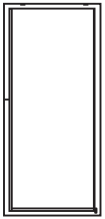




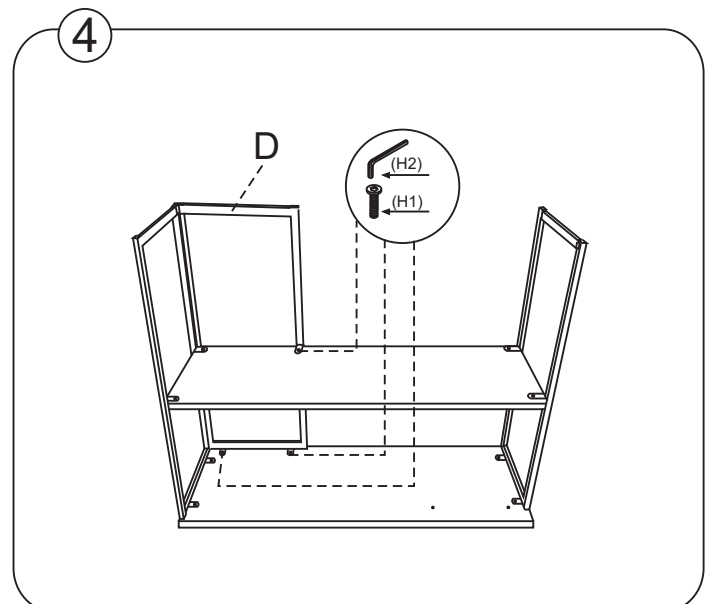
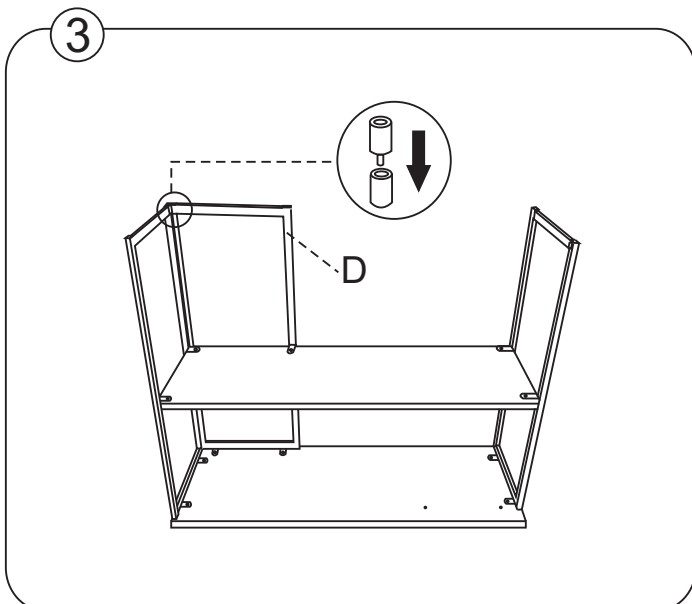
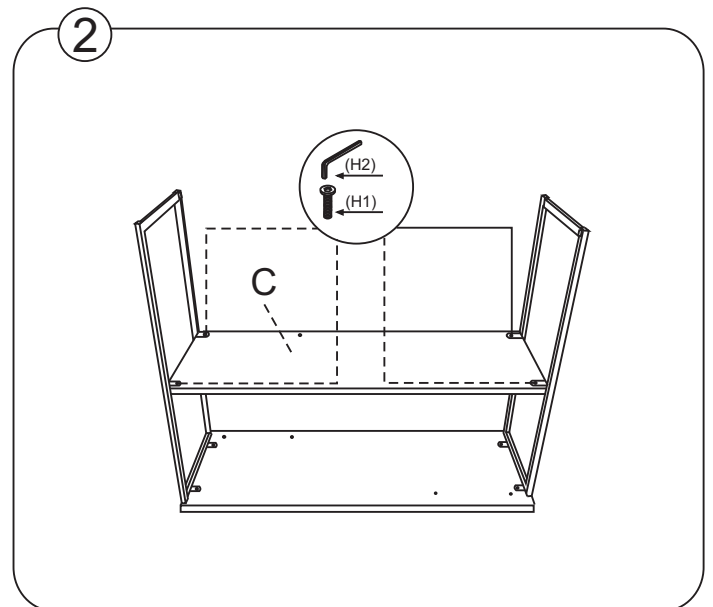
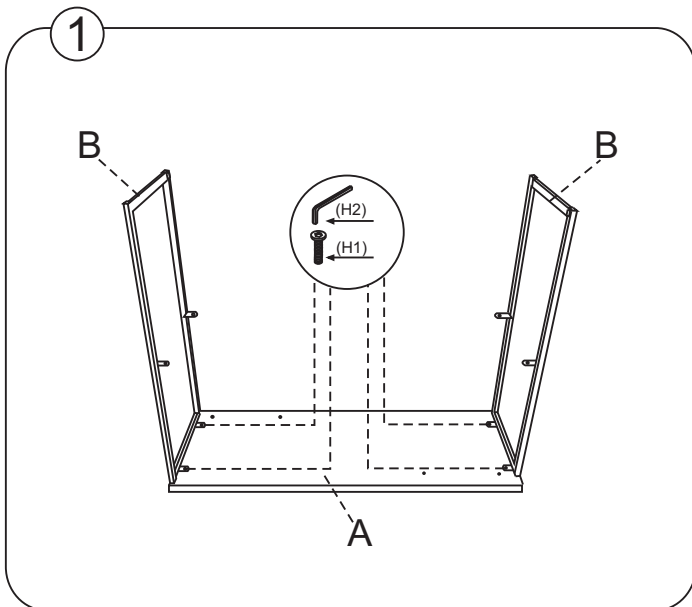
Care Guidance

- **This product is finished with a decorative veneer. Moisture, steam and heat can damage veneer. The surface should be protected from spillage and direct contact with hot items such as plates, cups and candles.**
- **Any spillage should be dealt with immediately with a soft absorbent cloth to prevent damage.**
- **The surface can be damaged by sharp or rough objects and care should be taken with items such as knives, keys or heavy objects.**
- **To clean – use a soft dry cloth. To remove marks wipe with a soft lightly dampened cloth. Avoid rubbing the surface. Harsh cleaning products such as bleach, solvents or abrasives will damage the surface.**
- **Following these guidelines should help your furniture maintain its look and finish.**

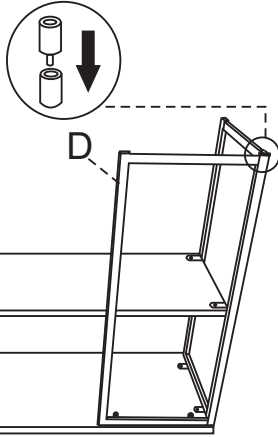
ASSEMBLY INSTRUCTION

<<Before assembling, read all the instructions>>

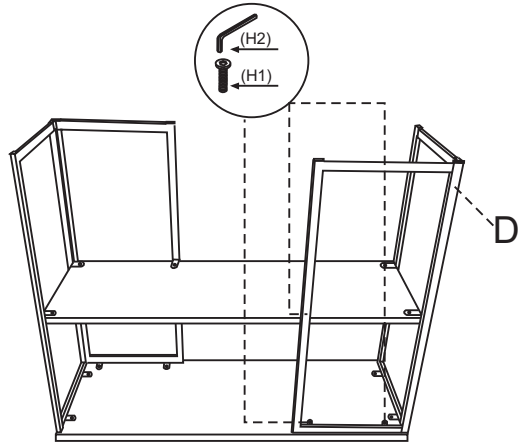
A	B	C	D	H1	H2
					
1PC	2PCS	1PC	2PCS	14PCS	1PC



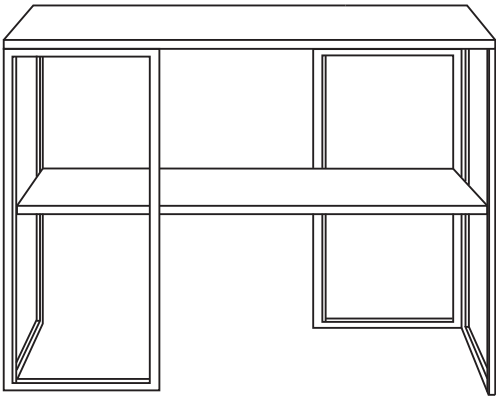
5



6



7



Shelf maximum vertical weight limit $\leq 15\text{kgs}$