

LAURA ASHLEY


IL4817

ELKWOOD CANDELABRA SEMI FLUSH INSTALLATION INSTRUCTIONS

These instructions are provided for your safety.


Please read carefully before commencing work and retain for future reference.

SAFETY INFORMATION

- * If you are in any doubt consult a person competent to give advice on the installation of electrical equipment.
- * This fitting should be fitted in accordance with IEE Wiring Regulations and the Building Regulations.
- * To prevent electrocution switch off at the mains supply before installing or maintaining this fitting. Ensure other persons cannot restore the electricity supply without your knowledge.
- * To avoid damage to concealed wiring during installation, establish the direction of the supply cable before drilling fixing holes.
- * This fitting is Class I = $\frac{1}{\text{I}}$ and should be fitted to a lighting supply (with earth) protected by a 5 amp fuse or equivalent circuit breaker.
- * Always be sure to use the correct type and wattage of bulbs as indicated on the fitting. Never exceed the wattage stated.
- * When changing the bulb, always switch off at the mains and allow the old bulb to cool down before handling. Dispose of used bulbs carefully.
- * This fitting is designed for use with self-shielded tungsten halogen lamps = 
- * Place this product out of direct sunlight.

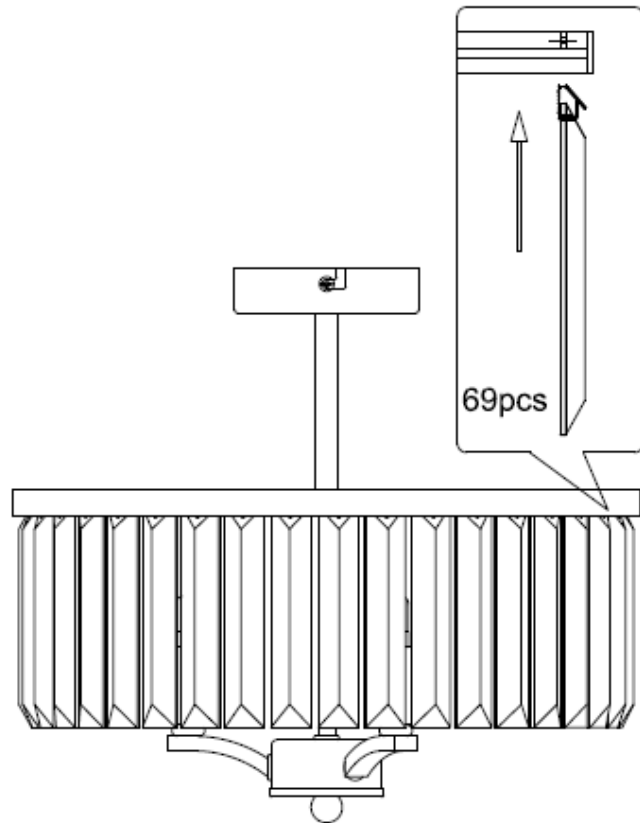
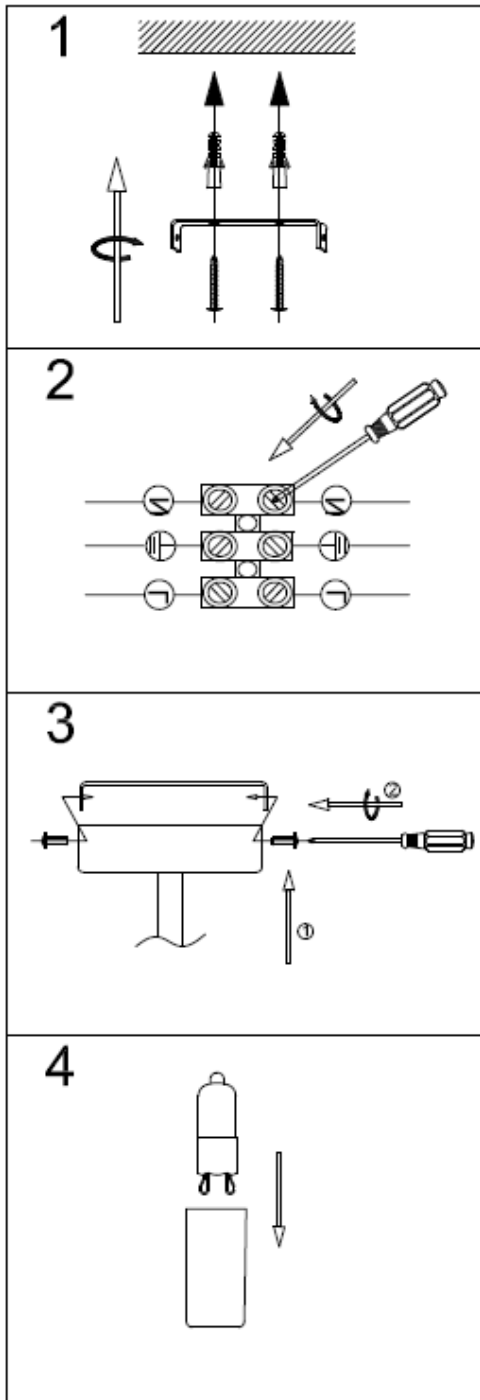
INSTALLATION

1. Ensure the house electricity supply is off at the fuse board.
2. Before removing the existing rose, carefully note the position of each set of cables. If there are loop in cables that are not connected to the light these must be terminated in a separate terminal block not connected to the fitting.
3. Remove mounting bracket from fitting by undoing retaining screws. Using the bracket as a template, mark and then drill the fixing holes in the ceiling. Ensure that the holes are drilled into a joist or other suitable mounting and not just the plaster. ①
4. Fix the mounting bracket to ceiling using suitable fixings. **Take care not to damage wiring.**
5. Use a screwdriver to lever open the connector block housing and feed supply cable through the rubber sleeve. Whilst supporting the weight of the fitting, make electrical connections as follows: ②
 - Connect supply live (normally brown or red) to fitting live (marked “L”) on the terminal block.
 - Connect supply neutral (normally blue or black) to fitting neutral (marked “N”) on the terminal block.
 - Connect supply earth (normally green/yellow or unsheathed) to earth (marked “ $\frac{1}{\text{E}}$ ”) on terminal block.Ensure electrical connections are tight and no loose strands of wire are left out of the terminal block. Ensure terminals and rubber sleeve is correctly seated then close connector block housing by snapping together.

Attach the fitting to the mounting bracket using the retaining screws removed earlier. Take care not to trap wires in the process. Rotate the “L” slot cut-out on the ceiling cup onto the bracket fixing screws and tighten the screws to secure in place.
6. Fit the bulb: Type and wattage as indicated on the fitting. **The wattage indicated must not be exceeded** ④ If using tungsten-halogen bulbs these must be of self-shielded type marked  Do not touch halogen bulbs with bare hands as this will shorten their life ③
7. **Fitting the crystal droppers:** Carefully remove the protective wrapping surrounding the droppers. Unfold the soft metal clip located at the top of each dropper set and pass through the hole in the metal lamp frame. Fold the soft metal clip over to its original position to retain in place.
8. Switch on the electricity supply at the fuse board.

LAURA ASHLEY

IL4817



GENERAL INFORMATION

This fitting is designed for internal use only and must be fitted to a DRY SURFACE as any dampness in plaster or paint can damage the finish. **Do not use polish or abrasive cleaner - just a soft dry cloth.**