

WHITHAM SEMI FLUSH BATHROOM IP44

INSTALLATION INSTRUCTIONS

These instructions are provided for your safety.

Please read carefully before commencing work and retain for future reference.

SAFETY INFORMATION

- * We recommend a qualified electrician carries out any electrical wiring in the bathroom.
- * If you are in any doubt consult a person competent to give advice on the installation of electrical equipment.
- * This fitting should be fitted in accordance with current IEE Wiring Regulations and the Building Regulations.
- * This fitting is rated IP44 and is suitable for use in Zones 1 & 2 of a bathroom, when fitted in accordance with IEE Wiring Regulations (see accompanying diagram). Fitting must be connected to a supply protected by a 30mA RCD in Zone 1.
- * To prevent electrocution, switch off at the mains supply before installing or maintaining this fitting. Ensure other persons cannot restore the electricity supply without your knowledge.
- * To avoid damage to concealed wiring during installation, establish the direction of the supply cable before drilling fixing holes.
- * This fitting is Class I = $\frac{1}{\text{I}}$ and should be fitted to a lighting supply (with earth) protected by a 5 Amp fuse or equivalent circuit breaker.
- * Always be sure to use the correct type and wattage of lamp, as indicated on the fitting. Never exceed the wattage stated.
- * When changing the lamp, always switch off at the mains and allow the old lamp to cool down before handling. Dispose of used lamps carefully.
- * Place this product out of direct sunlight.

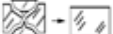
INSTALLATION

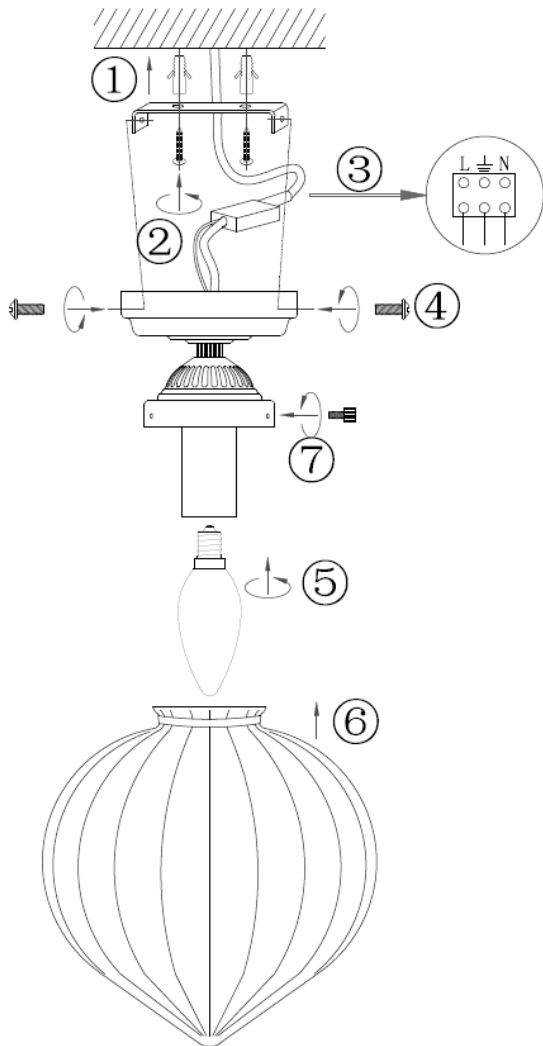
1. Ensure the house electricity supply is off at the fuse board.
2. Before removing the existing fitting, carefully note the position of each set of cables. If there are loop in cables that are not connected to the light these must be terminated in a separate terminal block not connected to the fitting.
3. Remove the mounting bracket/cup from the light by removing the screws located in the side. Keep the screws and any washers provided safe for later. Using the backplate as a template, mark and then drill the positions of the fixing holes on the ceiling adjacent to the supply wiring. Ensure the holes are drilled into a suitable surface like a joist and not just the plaster.
4. Using a screwdriver, pierce a suitable sized hole in the black rubber grommet of the terminal block and carefully feed the household supply cable through.
5. **The weight of the fitting must be supported whilst you make the electrical connections.**
Make the electrical connections as follows and ensure electrical connections are tight and no loose strands of wire are left out of the connector block:
 - Connect the supply live (normally brown or red) to fitting live (marked "L") on the terminal block.
 - Connect the supply neutral (normally blue or black) to fitting neutral (marked "N") on the terminal block.
 - Connect the supply earth (normally green/yellow or unsheathed) to earth (marked " $\frac{1}{\text{I}}$ ") on terminal block.
6. Secure the fitting to the backplate using the screws and any washers removed earlier.
7. Fit the bulb: type and wattage as indicated on the fitting **The stated wattage must not be exceeded.**
8. To fit the shade: Loosen the glass retaining screws at the rear of the lamp holder cup. Raise the shade up and position over the lamp holder section. Ensuring the neck of the shade is fully seated, retighten the three securing screws a little at a time until the shade is fully retained. Take care not to overtighten as this may cause damage to the fitting. Ensure the shade is full secured before leaving unattended.
9. Switch on the electricity supply at the fuse board.

GENERAL INFORMATION

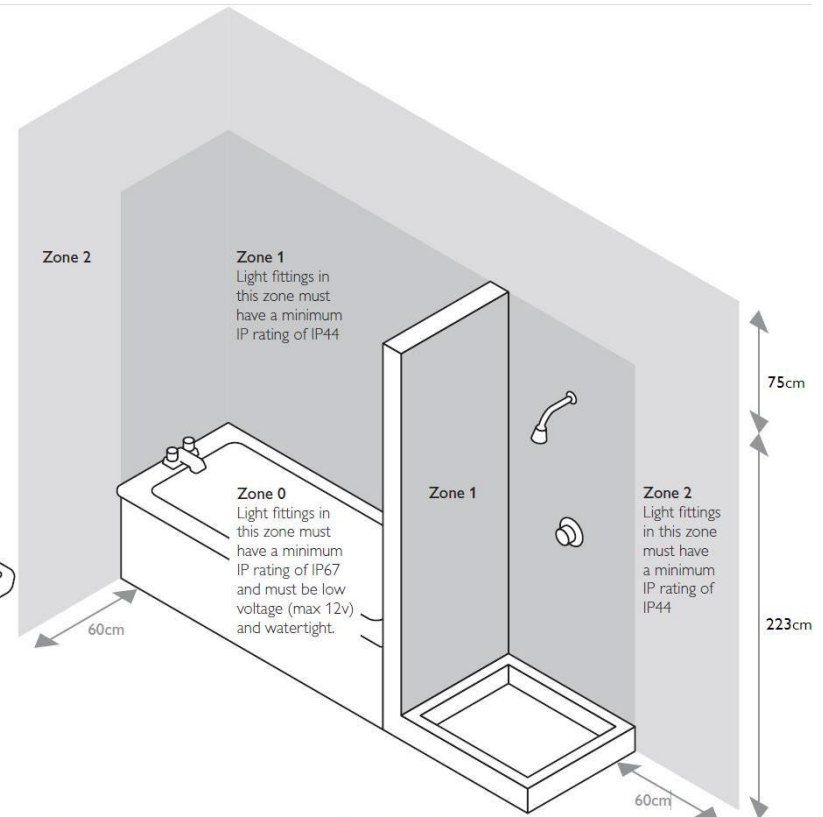
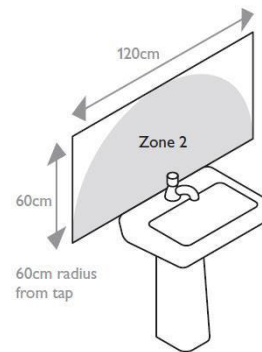
This fitting is designed for internal use only and must be fitted to a DRY SURFACE as any dampness in plaster or paint can damage the finish. **Do not use polish or abrasive cleaner - just a soft dry cloth.**

WHITHAM SEMI FLUSH BATHROOM IP44

If the shade glass of this product should become cracked or damaged a replacement shade should be sought from the manufacturer or their service agent. The product should not be used without the shade glass as it will compromise the integrity. 



Install in accordance with the IEE Wiring Regulations and the Building Regulations



THIS LIGHT FITTING IS IP44 MAKING IT SUITABLE FOR ZONES 1 AND 2