

LAURA ASHLEY


IL4903

BILLHAM 1LT PENDANT INSTALLATION INSTRUCTIONS

These instructions are provided for your safety.

Please read carefully before commencing work and retain for future reference.

SAFETY INFORMATION

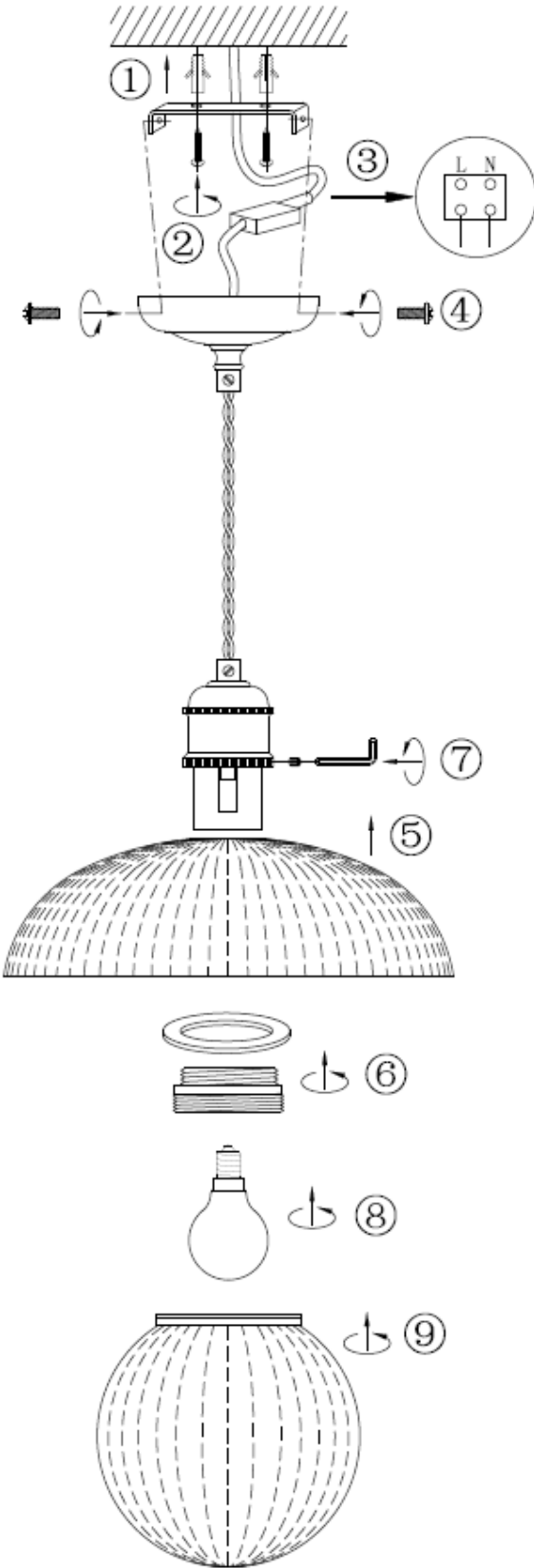
- * If you are in any doubt consult a person competent to give advice on the installation of electrical equipment.
- * This fitting should be fitted in accordance with IEE Wiring Regulations and the Building Regulations.
- * To prevent electrocution switch off at the mains supply before installing or maintaining this fitting. Ensure other persons cannot restore the electricity supply without your knowledge.
- * To avoid damage to concealed wiring during installation, establish the direction of the supply cable before drilling fixing holes.
- * This fitting is class 2 double insulated =  and should be fitted to a lighting supply protected by a 5 amp fuse or equivalent circuit breaker.
- * Always be sure to use the correct type and wattage of bulbs as indicated on the fitting. Never exceed the wattage stated.
- * When changing the bulb, always switch off at the mains and allow the old bulb to cool down before handling. Dispose of used bulbs carefully.

INSTALLATION

1. Ensure the house electricity supply is off at the fuse board.
2. Before removing the existing rose, carefully note the position of each set of cables. If there are loop in cables that are not connected to the light these must be terminated in a separate terminal block not connected to the fitting.
3. Remove mounting bracket and any washers from fitting by undoing retaining screws ① Using the bracket as a template, mark and then drill the fixing holes in the ceiling. Ensure that the holes are drilled into a joist or other suitable mounting and not just the plaster ②
4. Fix the mounting bracket to ceiling using suitable fixings. **Take care not to damage wiring**
Cable drop length can be adjusted at this point by loosening the nylon cord grip clamp with a screwdriver inside the ceiling cup. Pull any excess cable through the ceiling cup and retighten the cord clamp.
5. Use a screwdriver to lever open the connector block housing and feed supply cable through the rubber sleeve. Whilst supporting the weight of the fitting, make electrical connections as follows: ③
 - Connect the supply live (normally brown or red) to fitting live (marked “L”) on the terminal block.
 - Connect the supply neutral (normally blue or black) to fitting neutral (marked “N”) on the terminal block.Ensure electrical connections are tight and no loose strands of wire are left out of the terminal block. Ensure terminals and rubber sleeve is correctly seated then close connector block housing by snapping together.
Please note: No earth should be connected to any part of this fitting. If any earth wires are present please terminate these in a separate terminal block (not supplied) to ensure that continuity is maintained for the earth circuit.
6. Attach the fitting to the mounting bracket using the retaining screws and washers removed earlier Take care not to trap wires in the process ④
7. Fit the shade by first removing the shade ring already attached to the lamp holder section. Place the top hole over the shade over the lamp holder ⑤ Whilst supporting the shade, place the single silicone washer over the shade ring and refit the shade ring to the lamp holder to secure in place ⑥ Take care not to overtighten as this may cause damage to the fitting.
8. Using the Hex key provided, tighten the grub screw located at the side of the lamp holder to lock the shade ring to the light fitting ⑦
9. Fit the bulbs type and wattage as shown on fitting ⑧ **The wattage indicated must not be exceeded.**
10. Fit the lower glass shade by aligning the threads on the shade with those on the lower part of the shade ring ⑨ If cross-threading occurs, undo and start again. Take care not to overtighten as this may cause damage.
11. Switch on the electricity supply at the fuse board.

LAURA ASHLEY

IL4903



GENERAL INFORMATION

This fitting is designed for internal use only and must be fitted to a DRY SURFACE as any dampness in plaster or paint can damage the finish. **Do not use polish or abrasive cleaner - just a soft dry cloth.**