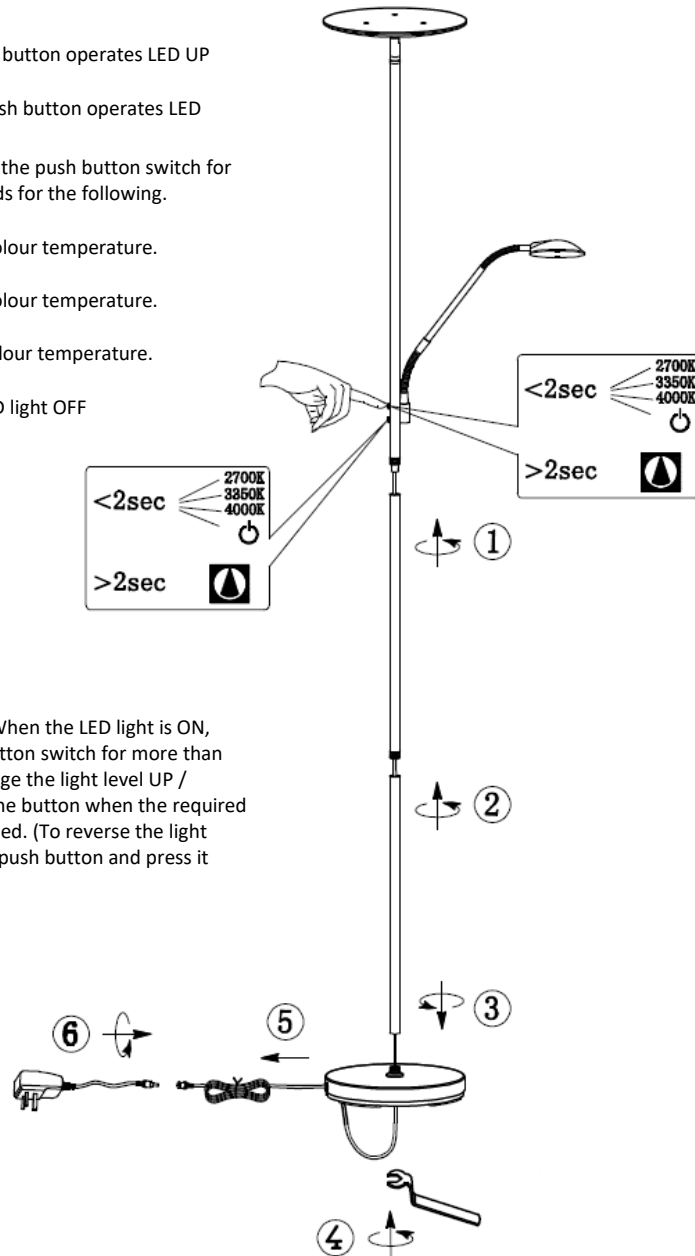


HOW TO USE

- Top switch - push button operates LED UP lighter.
- Lower switch - push button operates LED READING light.
- Press and release the push button switch for less than 2 seconds for the following.
 - Press 1 - 2700K colour temperature.
 - Press 2 - 3350K colour temperature.
 - Press 3 - 4000K colour temperature.
- Press 4 – Turn LED light OFF
- **LED Light Level:** When the LED light is ON, press the push button switch for more than 2 seconds to change the light level UP / DOWN. Release the button when the required light level is reached. (To reverse the light level, release the push button and press it again).




ASSEMBLY INSTRUCTIONS

1. Unpack the floor lamp and remove all packaging. Be careful that you do not scratch the surface of the stems whilst removing the plastic wrapping.
2. Cover the floor with a soft cloth to avoid damage to the flooring and surface of the product, then lay the product out on the floor. Assembly should take place with the product lying flat.
3. Where required, remove the plastic/cardboard cable protectors that are fitted at cable entry points inside stems and the floor lamp base.
4. Firmly hold the lamp holder section and then screw the middle stem into the upper section together, taking care to hold stems parallel to avoid cross-threading. ① **If in doubt, undo the stem and start again.**
5. Firmly hold the lamp holder section and then screw the lower stem into the upper section together, taking care to hold stems parallel to avoid cross-threading. ② **If in doubt, undo the stem and start again.**
6. Screw the assembled floor lamp onto the base, then make sure all assembled sections are fully tightened, **taking care not to over-tighten.** ③
7. Lay the floor lamp onto its side, then use the spanner provided to position the lighting head directly in the middle of the floor lamp base. ④ This is important to stabilise this floor lamp.
8. Gently pull the excess cable out of the base. Stand the floor lamp upright and ensure all assembled sections are fully tightened. ⑤ **Take care not to over-tighten.**
9. Connect the LED driver to the floor lamp, holding the LED driver connector opposite the plugged cable exiting the floor lamp. Attach the socket on the LED driver to the cable exiting the floor lamp. Push them together, then turn the plug clockwise to lock them together. ⑥
10. Your floor lamp is now ready for use.

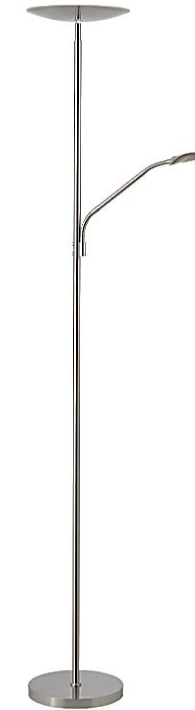
GENERAL INFORMATION

This floor lamp is designed for internal use only.
Do not use polish or an abrasive cleaner - just a soft dry cloth.

SAFETY INFORMATION

- * The supply cable runs through the inside of the fitting. Take care not to place undue stress on the cable whilst unpacking to prevent the possibility of a poor connection.
- * If the external flexible cable of the lamp is damaged it shall be exclusively replaced by the manufacturer or his service agent or a similar qualified person in order to avoid a hazard.
- * If you are in any doubt consult a person competent to give advice on the assembly of electrical equipment.
- * This floor lamp is supplied with plug-in electronic driver and is suitable for 240 Volt ring mains.
- * To prevent electrocution, switch off at the mains supply before assembling or maintaining this fitting. Ensure the plug is not connected to any power supply and read the instructions before assembly.
- * This product contains a light source(s) of energy efficiency class. 

där[®]
lighting group



PRODUCT SPECIFICATIONS	
Adaptor Input Voltage:	250 volts ac Replaceable
Lamp Input Voltage:	24 Volts D.C
Bulb Type:	LED / LED
Power:	20 Watts
Protection Class (Lamp)	Class III
Uplighter (mother) LED Colour Temp:	2750K, 3350K & 4000K Dimmable
Reading (child) LED Colour Temp	2750K, 3350K & 4000K Dimmable

To register your product for an extended five-year warranty, please complete the simple form at

www.darlighting.co.uk/warranty

You'll need to fill in the details of the product, the retailer you purchased it from, and also the installer and the installation. Please also upload a clear copy of the original purchase invoice or receipt to complete this registration.

UK: *där Lighting Ltd, Wildmere Road, Banbury, Oxon, OX16 3JZ*

Ireland & EU: *Dar Lighting Ireland Limited, Suite 108, Q House, 76 Furze Road, Sandyford Industrial Estate, Dublin 18*

LED MOTHER AND CHILD COLOUR CHANGING FLOOR LAMP ASSEMBLY INSTRUCTIONS